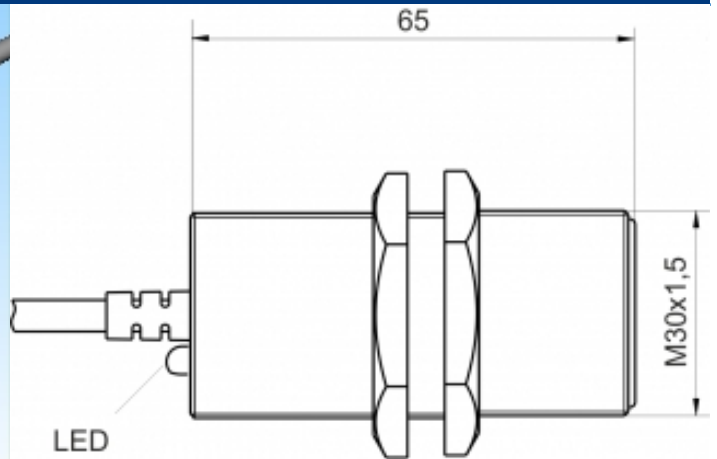
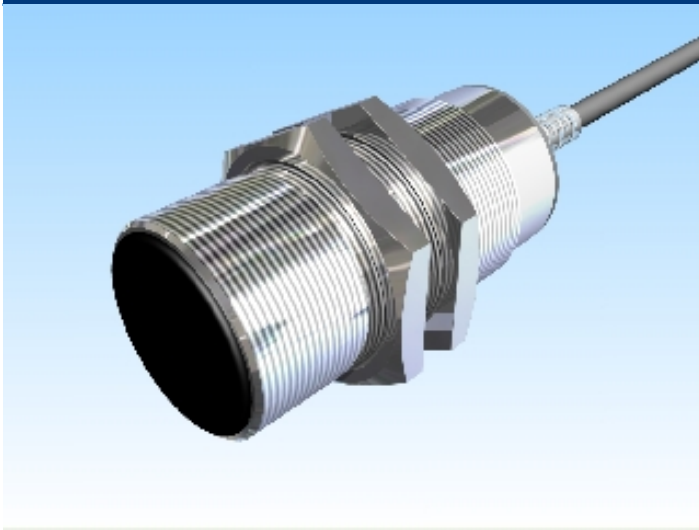





[Article Page](#)

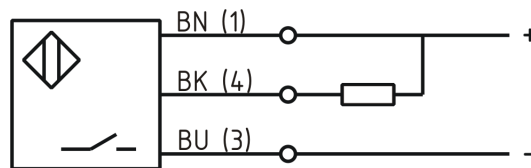
Product Description

inductive sensor DC



Name	KJ22-M30MB65-DNS
Order number	08317865100
Matchcode	9986-5100
Switching distance	22 mm
Mounting	 shielded
Switch type	 N.O.
Signal Type	DC NPN
Connection	 Cable

Connection diagramm



Dimension (in mm)	fine-pitch thread M30 x 65
-------------------	----------------------------

Technical Specification

Special features	quasi-shielded mounting
Operating voltage	10 - 30 VDC
Max. ripple	≤ 10 %
Voltage drop	2 V
Max. load current	200 mA
No load current	≤ 10 mA
Leakage current	≤ 50 µA
Switching frequency	300 Hz

Switching hysteresis	≤ 15 %
Operating temperature	-25 ° C to 70 ° C
Temperature drift	≤ 10 %
Repeat accuracy	≤ 5 %
Switching state	LED
Time delay	300 ms
Short-circuit proof	yes
Overload protection	yes
Reverse voltage protection	yes
Protection category	IP67
EMC-level	DIN EN 60947-5-2:2008
Housing material	Brass, nickel plated
Material active face	PBT
Cable length	2 m
Utilisation category	DC 13
Cable material	PVC LIYY grau (grey)
Nominal operating voltage	24 V DC
Cable cross	3x0.34 mm ²

Errors and omissions excepted