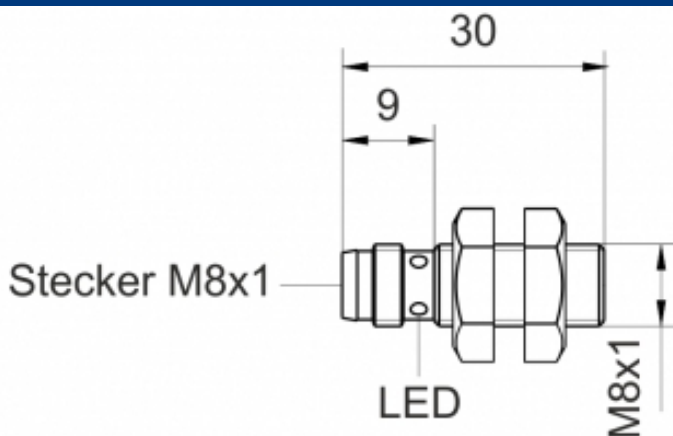
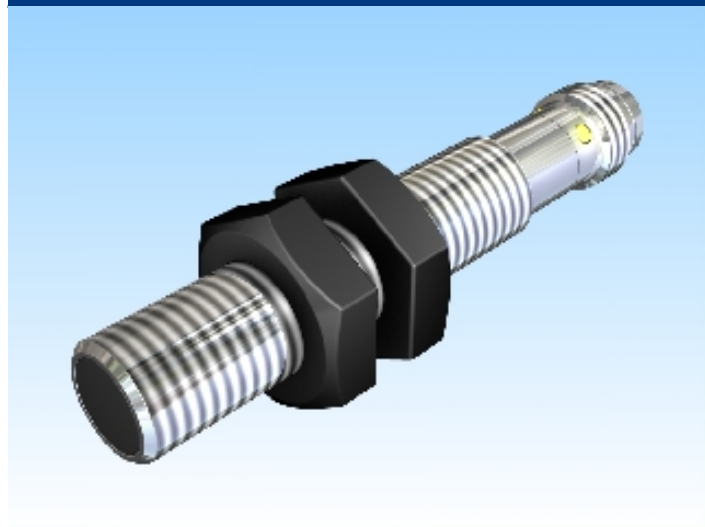





[Article Page](#)

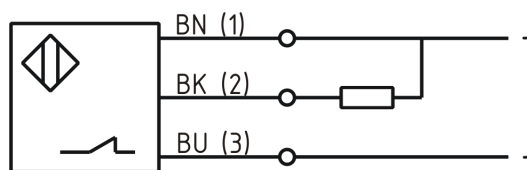
**Product Description**

**inductive sensor DC**



|                    |   |
|--------------------|---|
| Name               | KJ2-M8EB30-DNÖ-V1   |
| Order number       | 08313080241   |
| Switching distance | 2 mm  |
| Mounting           |  shielded  |
| Switch type        |  N.C.      |
| Signal Type        | DC NPN  |
| Connection         |  Connector |

Connection diagramm



|                   |                             |
|-------------------|-----------------------------|
| Dimension (in mm) | fine-pitch thread M8x1 x 30 |
|-------------------|-----------------------------|

**Technical Specification**

|                       |                   |
|-----------------------|-------------------|
| Operating voltage     | 10 - 30 VDC       |
| Max. ripple           | ≤ 10 %            |
| Voltage drop          | 2,4 V             |
| Max. load current     | 200 mA            |
| No load current       | ≤ 10 mA           |
| Leakage current       | ≤ 10 μA           |
| Switching frequency   | 2000 Hz           |
| Switching hysteresis  | 15 %              |
| Operating temperature | -25 ° C to 70 ° C |

|                            |                       |
|----------------------------|-----------------------|
| Temperature drift          | 10 %                  |
| Repeat accuracy            | ≤ 5 %                 |
| Swiching state             | LED                   |
| Short-circuit proof        | yes                   |
| Overload protection        | yes                   |
| Reverse voltage protection | yes                   |
| Protection category        | IP 67                 |
| EMC-level                  | DIN EN 60947-5-2:2008 |
| Housing material           | Stainless steel V2A   |
| Material active face       | PBT                   |
| Utilisation category       | DC 13                 |
| Termination                | Connector M8 3pol     |

**Errors and omissions exceptet**