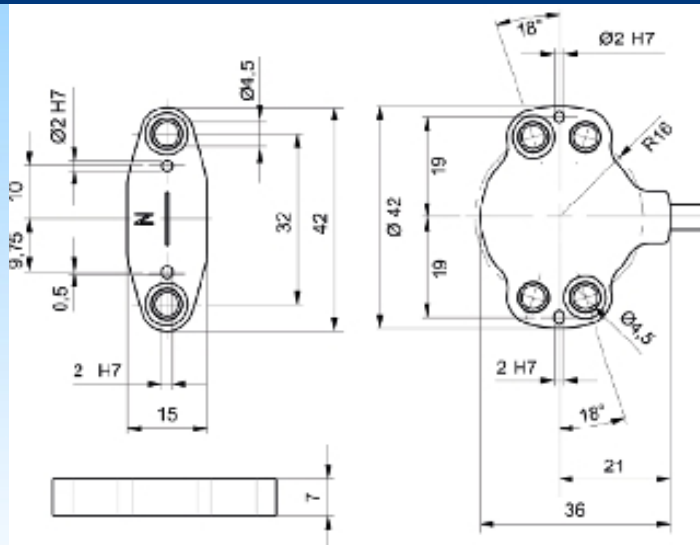




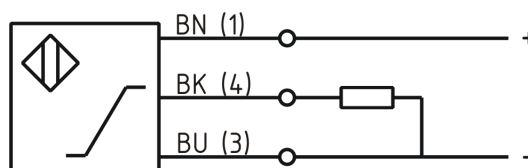
[Article Page](#)

**Product Description**

**angle sensor**



|                     |  |
|---------------------|--|
| Name                | KW360-D42KN7-ANI-X0392   |
| Order number        | 08330001135  |
| Switching distance  | 6 mm   |
| Mounting            |  non shielded   |
| Switch type         |  analog current |
| Connection          | connector M12  |
| Connection diagramm |  |



|                   |          |
|-------------------|----------|
| Dimension (in mm) | D 42 x 7 |
|-------------------|----------|

**Technical Specification**

|                       |   |
|-----------------------|---|
| Special features      | Supply with Target-Magnet NdFeB 55/100 42x7 |
| Operating voltage     | 10 - 30 V DC                                |
| Max. ripple           | ≤ 10 %                                      |
| Voltage drop          | 1 V   |
| Max. load current     | 35 mA                                       |
| No load current       | ≤ 15 mA                                     |
| Operating temperature | -40 ° C to 85 ° C                           |
| Temperature drift     | +/- 0,5 %                                   |
| Linearity             | ± 1,5 % (bei Ta = 25°C)                     |
| Analog output         | Pulso_has1                                  |

|                            |  |
|----------------------------|--|
| Time delay                 | 15 ms                                      |
| Resolution                 | 12 Bit DAC über den gesamten Winkelbereich |
| Inclination angle          | 360°                                       |
| Output current             | 4 ... 20 mA                                |
| Short-circuit proof        | yes  |
| Overload protection        | yes  |
| Reverse voltage protection | yes  |
| Protection category        | IP67                                       |
| EMC-level                  | DIN EN 60947-5-2:2008                      |
| Housing material           | PA 6.6                                     |
| Number of terminals        | 3  |
| Cable length               | 300 mm                                     |
| Utilisation category       | DC 13                                      |
| Cable material             | PUR  |
| Cable cross                | 3x0.34                                     |
| Termination                | M12-pigtail 300mm                          |

**Errors and omissions excepted**