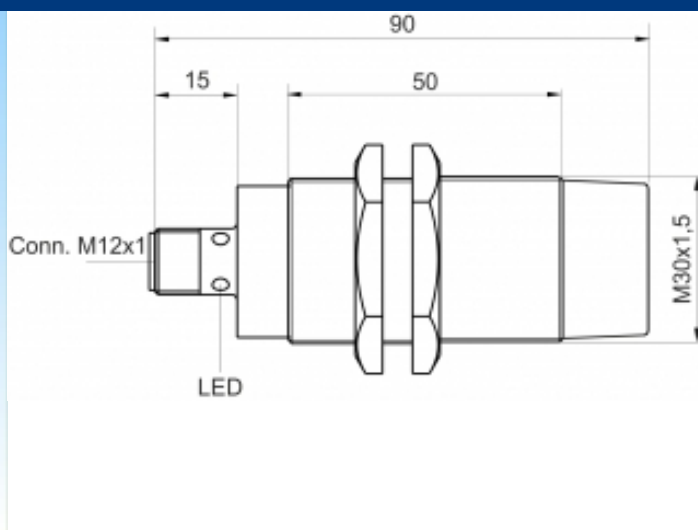
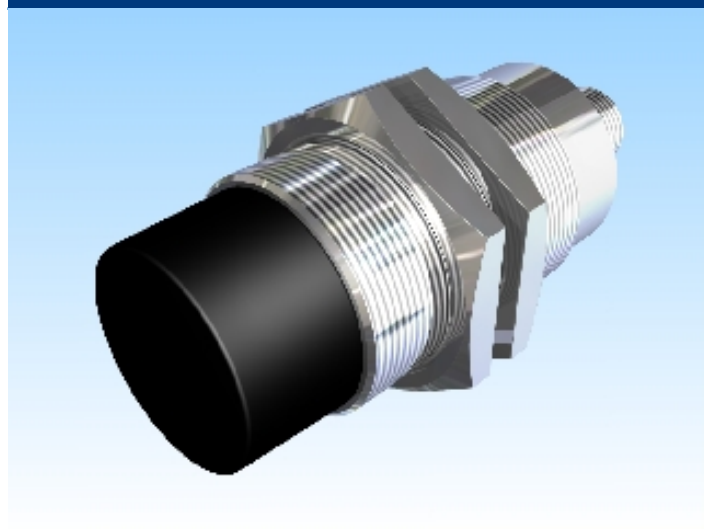


[Article Page](#)

Product Description

inductive sensor DC



Name	SJ40-M30MN95-DNS-V2
Order number	08317865365
Switching distance	40 mm
Mounting	non shielded
Switch type	N.O.
Signal Type	NPN
Connection	connector M12
Connection diagramm	

Dimension (in mm)	fine-pitch thread M30 x 90
-------------------	----------------------------

Technical Specification

Operating voltage	10 - 30 V DC
Max. ripple	≤ 10 %
Voltage drop	2 V
Max. load current	200
No load current	≤ 10 mA
Leakage current	≤ 10 μA
Switching frequency	100 Hz
Switching hysteresis	≤ 15 %
Operating temperature	-25 ° C to 70 ° C
Temperature drift	≤ 10 %

Repeat accuracy	≤ 5 %
Switching state	LED
Time delay	300 ms
Short-circuit proof	yes
Overload protection	yes
Reverse voltage protection	yes
Protection category	IP67
EMC-level	acc. to DIN EN 60947-5-2:2008
Housing material	Brass, nickel plated
Utilisation category	DC 13
Contact material	CuSn
Contact surface material	NiAu
Nominal operating voltage	24 V DC

Errors and omissions exceptet