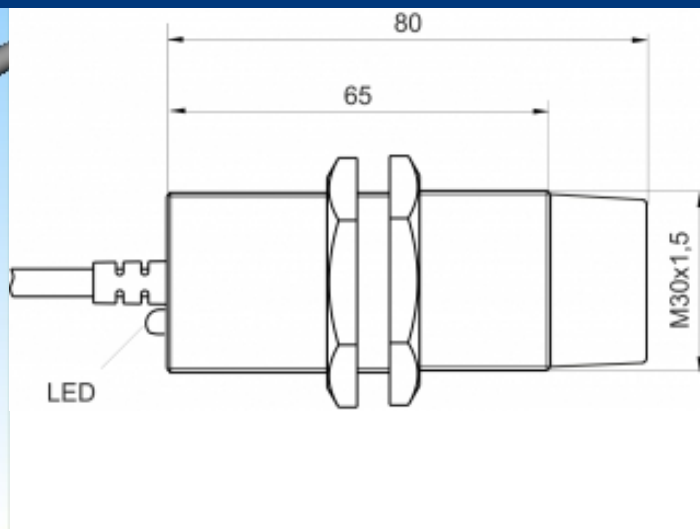


[Article Page](#)

**Product Description**

**inductive sensor DC**



Name SJ40-M30MN80-DNÖ


Order number 08313304047

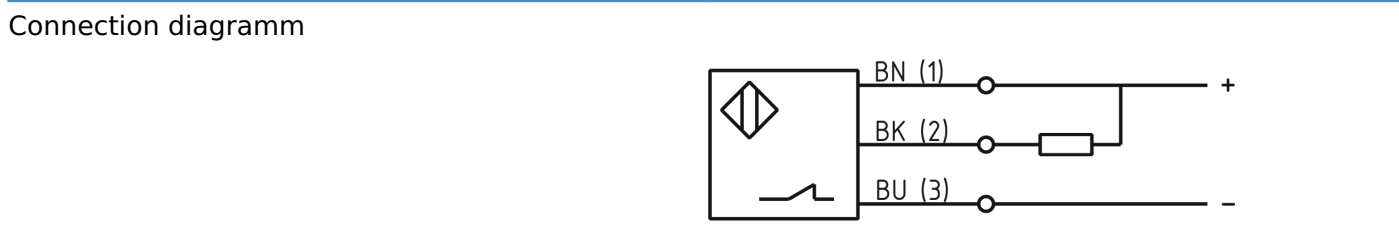
Switching distance 40 mm

Mounting  non shielded

Switch type  N.C.

Signal Type DC NPN

Connection  Cable



Dimension (in mm) fine-pitch thread M30 x 80

**Technical Specification**

Operating voltage 10 - 30 VDC

Max. ripple ≤ 10 %

Voltage drop 2 V

Max. load current 200 mA

No load current ≤ 10 mA

Leakage current ≤ 50 μA

Switching frequency 100 Hz

Switching hysteresis ≤ 15 %

Operating temperature -25 ° C to 70 ° C

Temperature drift	≤ 10 %
Repeat accuracy	≤ 5 %
Swiching state	LED
Time delay	300 ms
Short-circuit proof	yes
Overload protection	yes
Reverse voltage protection	yes
Protection category	IP67
EMC-level	DIN EN 60947-5-2:2008
Housing material	Brass, nickel plated
Material active face	PBT
Cable length	2 m
Utilisation category	DC 13
Cable material	PVC LIYY grau (grey)
Nominal operating voltage	24 V DC
Cable cross	3x0.34 mm <sup>2</sup>

**Errors and omissions exceptet**