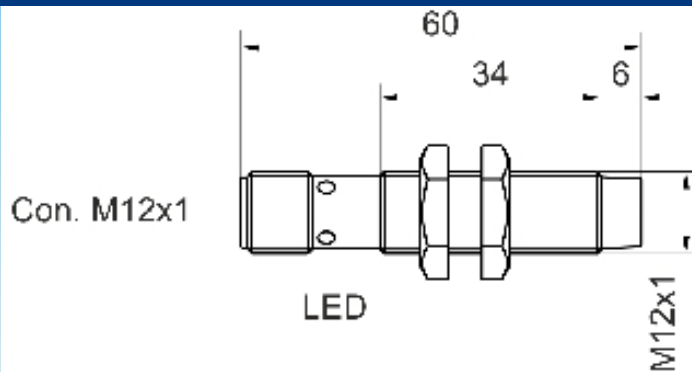
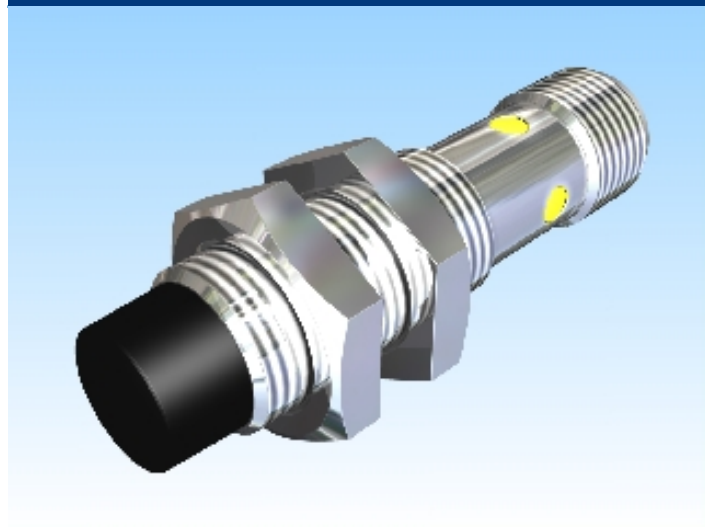




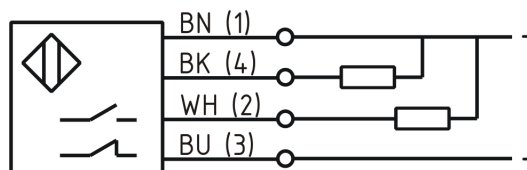
[Article Page](#)

**Product Description**

**inductive sensor DC**



Name	KJ6-M12MN60-DNA-V2
Order number	08310001875
Switching distance	6 mm
Mounting	 non shielded
Switch type	 Changeover
Signal Type	DC NPN
Connection	connector M12
Connection diagramm	



Dimension (in mm)	fine-pitch thread M12 x 60
-------------------	----------------------------

**Technical Specification**

Operating voltage	10 - 30 VDC
Max. ripple	≤ 10 %
Voltage drop	2,4 V
Max. load current	200 mA
No load current	≤ 13 mA
Leakage current	≤ 10 μA
Switching frequency	800 Hz
Switching hysteresis	≤ 15 %
Operating temperature	-25 ° C to 70 ° C
Temperature drift	≤ 10 %

Repeat accuracy	≤ 10 %
Switching state	LED
Time delay	300 ms
Short-circuit proof	yes
Overload protection	yes
Reverse voltage protection	yes
Protection category	IP67
EMC-level	DIN EN 60947-5-2:2008
Housing material	Brass, nickel plated
Material active face	Pocan KU 2-7503/1 + Batch RAL 9004LS
Utilisation category	DC 13
Contact material	Cu
Contact surface material	NiAu
Contact holder	Makrolon 2405 farblos
Termination	Connector M12 4pol
FIT / MTTF acc. to SIEMENS 29500	67,97 / 1689y

**Errors and omissions exceptet**