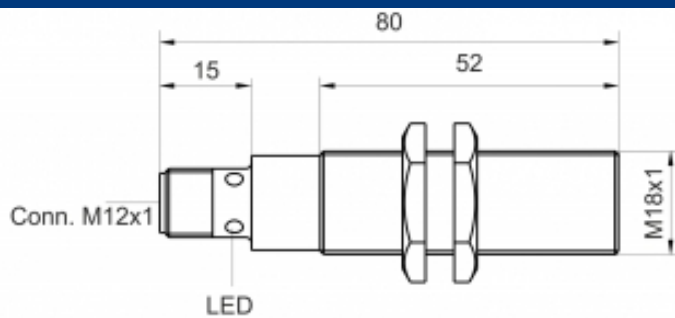
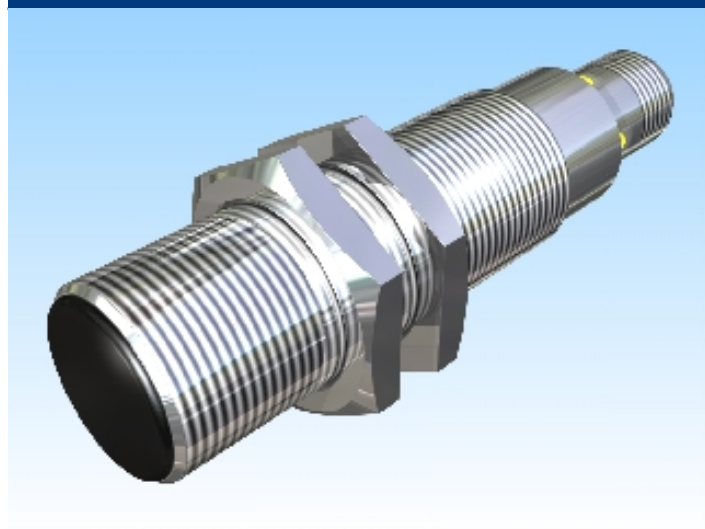




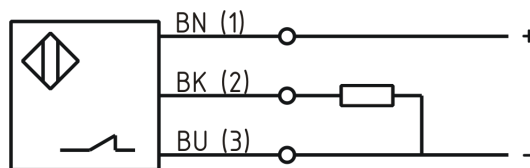
[Article Page](#)

Product Description

inductive sensor DC



| | |
|---------------------|--|
| Name | SJ12-M18MB76-DPÖ-V2 |
| Order number | 08313121822 |
| Switching distance | 12 mm |
| Mounting |  shielded |
| Switch type |  N.C. |
| Signal Type | DC PNP |
| Connection | connector M12 |
| Connection diagramm | |



| | |
|-------------------|----------------------------|
| Dimension (in mm) | fine-pitch thread M18 x 80 |
|-------------------|----------------------------|

Technical Specification

| | |
|-----------------------|-------------------------|
| Special features | quasi-shielded mounting |
| Operating voltage | 10 - 30 VDC |
| Max. ripple | ≤ 10 % |
| Voltage drop | 2 V |
| Max. load current | 200 mA |
| No load current | ≤ 10 mA |
| Leakage current | ≤ 50 µA |
| Switching frequency | 500 Hz |
| Switching hysteresis | ≤ 15 % |
| Operating temperature | -25 ° C to 70 ° C |

| | |
|----------------------------|-----------------------|
| Temperature drift | ≤ 10 % |
| Repeat accuracy | ≤ 5 % |
| Swiching state | LED |
| Time delay | 300 ms |
| Short-circuit proof | yes |
| Overload protection | yes |
| Reverse voltage protection | yes |
| Protection category | IP67 |
| EMC-level | DIN EN 60947-5-2:2008 |
| Housing material | Brass, nickel plated |
| Material active face | PBT |
| Utilisation category | DC 13 |
| Contact material | CuSn |
| Contact surface material | NiAu |
| Nominal operating voltage | 24 V DC |
| Termination | Connector M12 4pin |

Errors and omissions exceptet