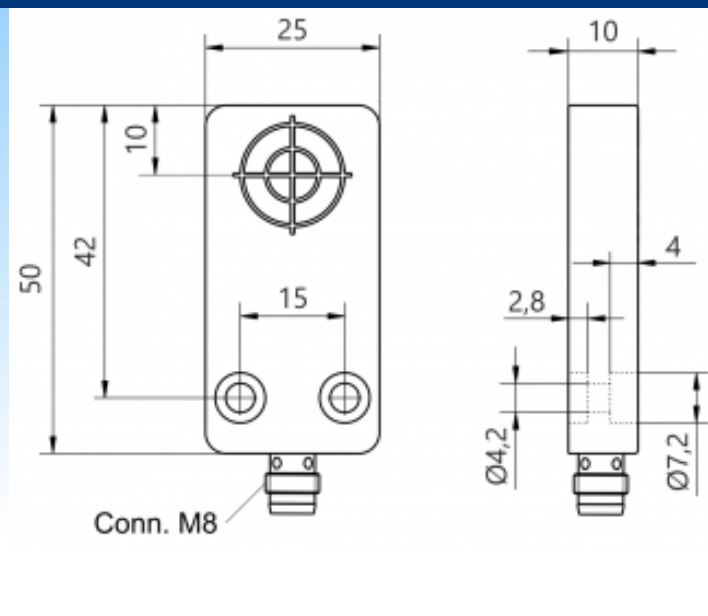




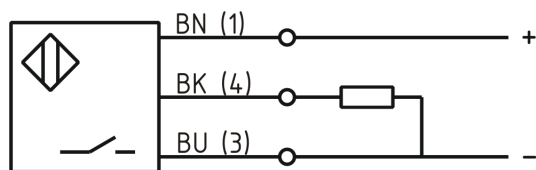
[Article Page](#)

**Product Description**

**inductive sensor DC**



Name	KJ8-Q25KN-DPÖ-V1
Order number	08310001883
Switching distance	8 mm
Mounting	 non shielded
Switch type	 N.C.
Signal Type	DC PNP
Connection	connector M8
Connection diagramm	



Dimension (in mm)	Q 25 x 10 x 50
-------------------	----------------

**Technical Specification**

Operating voltage	10 - 30 VDC
Max. ripple	≤ 10 %
Voltage drop	2,4 V
Max. load current	200 mA
No load current	≤ 13 mA
Leakage current	≤ 10 µA
Switching frequency	800
Switching hysteresis	≤ 15 %
Operating temperature	-25 ° C to 70 ° C
Temperature drift	≤ 10 %

Repeat accuracy	≤ 5 %
Switching state	LED
Short-circuit proof	yes
Overload protection	yes
Reverse voltage protection	yes
Protection category	IP 67
EMC-level	DIN EN 60947-5-2: 2008
Housing material	PA 6.6
Utilisation category	DC 13
Termination	Connector M8 3pin
FIT / MTTF	90,88 / 1256y

**Errors and omissions exceptet**