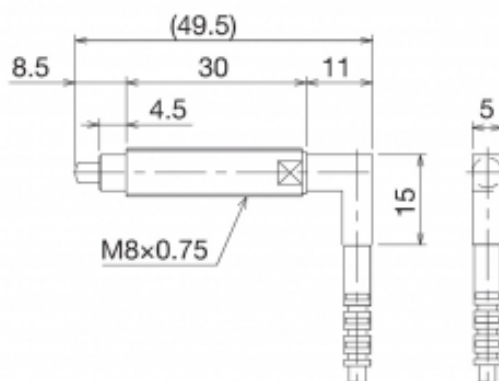

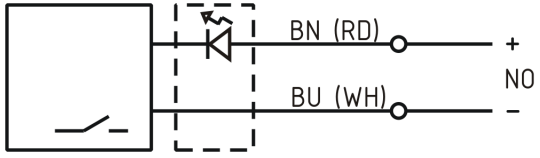


[Article Page](#)

Product Description

Touch Sensor



Name	CS087A-LDR
Order number	08430131045
Switch type	 - N.O.
Signal Type	mechanical contact
Connection	Cable 3m
Connection diagramm	

Dimension (in mm)	M8 x 49,5
-------------------	-----------

Technical Specification

Operating voltage	5 - 24 V
Max. load current	10 mA
Switching hysteresis	0
Operating temperature	0 ° C to 80 ° C
Temperature drift	0
Repeat accuracy	0,005 mm (at operating speed 50 ... 200 mm/min)
Switching state	LED
Stroke	2,8 mm
Pre-travel	0,3 mm
Accuracy	0,005 mm
Probe tip	Zylinder 3,5/R 3
Probe tip material	Edelstahl
Operation load	1 N
Protection category	IP65
Wiring	Zweidraht/ Two wire

Termination

cable 3 m, 2 wire, Ø 2.8 mm, oil resistant

Errors and omissions excepted