

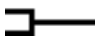
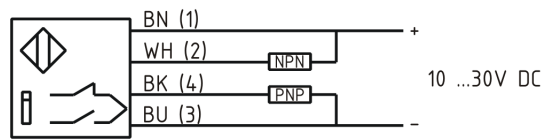


[Article Page](#)

**Product Description** **one-way light barrier**

Name	KOES30M-Q31KB-DMU-IR
Order number	08363260034
Matchcode	MP-T030MD-CX9C4U2
Switch type	 Switchable
Signal Type	DC PNP/NPN
Illuminant	 Infrared light 880 nm
Connection	 Cable

Connection diagramm



Dimension (in mm)	12 x 31 x 30
-------------------	--------------

**Technical Specification**

Signal type	Throughbeam sensor
Operating voltage	10 - 30 V DC
Max. load current	150 mA
No load current	< 25 mA
Switching frequency	500
Operating temperature	-25 ° C to 70 ° C
Swiching state	LED
Digital output	
Measuring range	30 m
Sensitivity adjustable	ja
Sensing range adjustable	nein
Short-circuit proof	yes
Overload protection	yes
Reverse voltage protection	yes
Protection category	IP67
EMC-level	DIN EN 60947-5-2:2008
Housing material	Plastic
Termination	2m PVC 4x0,5mm <sup>2</sup>

**Errors and omissions exceptet**