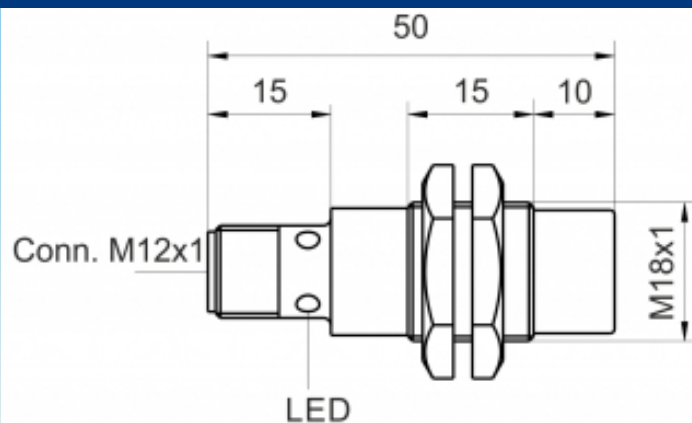




[Article Page](#)

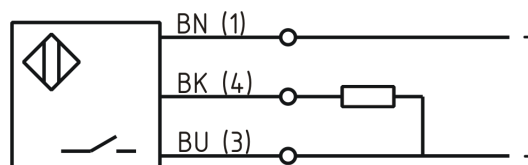
**Product Description**

**inductive sensor DC**



Name	KJ8-M18MN50-DPS-V2
Order number	08317842265
Matchcode	9984-2265
Switching distance	8 mm
Mounting	 non shielded
Switch type	 N.O.
Signal Type	DC PNP
Connection	connector M12

Connection diagramm



Dimension (in mm)	fine-pitch thread M18 x 50
-------------------	----------------------------

**Technical Specification**

Operating voltage	10 - 30 VDC
Max. ripple	≤ 10 %
Voltage drop	2,4 V
Max. load current	200 mA
No load current	≤ 13 mA
Leakage current	≤ 10 μA
Switching frequency	500 Hz
Switching hysteresis	≤ 15 %
Operating temperature	-25 ° C to 70 ° C

Temperature drift	≤ 10 %
Repeat accuracy	≤ 10 %
Swiching state	LED
Short-circuit proof	yes
Overload protection	yes
Reverse voltage protection	yes
Protection category	IP67
EMC-level	DIN EN 60947-5-2: 2008
Housing material	Brass, nickel plated
Material active face	VALOX DR48
Utilisation category	DC 13
Termination	Connector M12 4pin

**Errors and omissions exceptet**