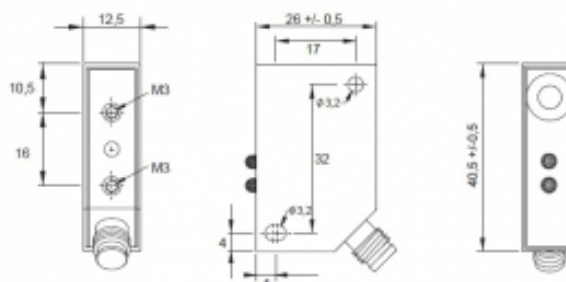




[Article Page](#)

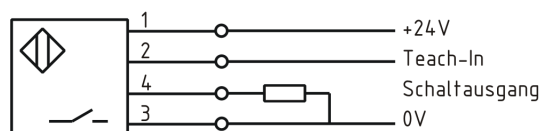
Product Description

ultrasonic sensor



Name	KURT250-Q12KB-DPA-V1
Order number	08400836664
Matchcode	9983-6664
art_schaltabstand_einstellbar	yes
Switch type	 Switchable
Signal Type	DC PNP
Connection	 Connector

Connection diagramm



Dimension (in mm)	26 x 12 x 40.5
-------------------	----------------

Technical Specification

Signal type	Taster
Operating voltage	10 - 30 V
Max. load current	100 mA
No load current	< 35 mA
Switching frequency	50 Hz
Switching hysteresis	2 %
Operating temperature	-15 ° C to 70 ° C
Repeat accuracy	+/- 0,2% %
Operating state	LED
Switching state	LED
Carrier frequency	400 kHz

Sound beam	ca. 8°
Measuring range	2,5-25 cm
Short-circuit proof	yes
Overload protection	yes
Reverse voltage protection	yes
Protection category	IP67
EMC-level	DIN EN 60947-5-7:2004-06/DIN EN 60947-5-2:2008
Housing material	Plastic
Termination	Connector M8 4pol
Notes	!

Errors and omissions exceptet