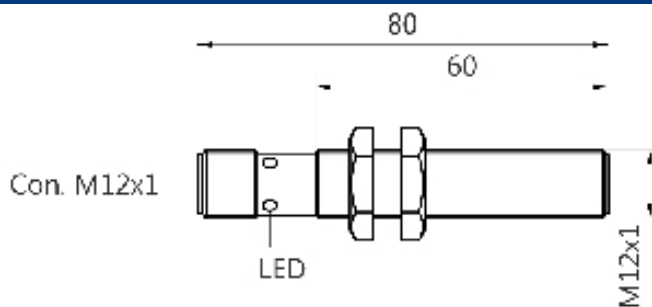
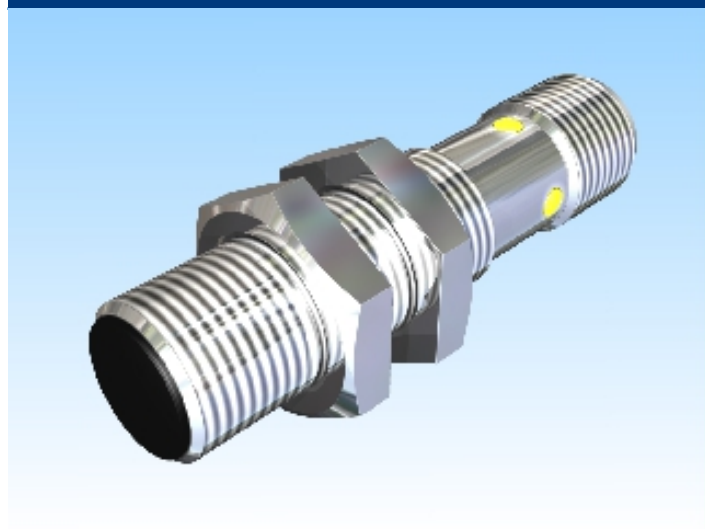


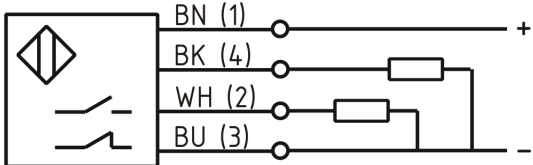


[Article Page](#)

**Product Description**

**inductive sensor DC**



Name	KJ2-M12MB80-DPA-V2
Order number	08317626265
Matchcode	9962-6265
Switching distance	2 mm
Mounting	 shielded
Switch type	 Changeover
Signal Type	DC PNP
Connection	connector M12
Connection diagramm	

Dimension (in mm)	fine-pitch thread M12 x 80
-------------------	----------------------------

**Technical Specification**

Operating voltage	10 - 30 VDC
Max. ripple	≤ 10 %
Voltage drop	2,4 V
Max. load current	200 mA
No load current	≤ 13 mA
Leakage current	≤ 10 µA
Switching frequency	1000 Hz
Switching hysteresis	≤ 15 %
Operating temperature	-25 ° C to 70 ° C

Temperature drift	≤ 10 %
Repeat accuracy	≤ 10 %
Swiching state	LED
Time delay	100 ms
Short-circuit proof	yes
Overload protection	yes
Reverse voltage protection	yes
Protection category	IP67
EMC-level	DIN EN 60947-5-2:2008
Material active face	PA 6.6
Utilisation category	DC 13
Contact material	CU
Contact surface material	NiAu
Contact holder	Makrolon 2405 schwarz
Termination	Connector M12 4pol
FIT / MTTF acc. to SIEMENS 29500	72,17 / 1582y

**Errors and omissions exceptet**