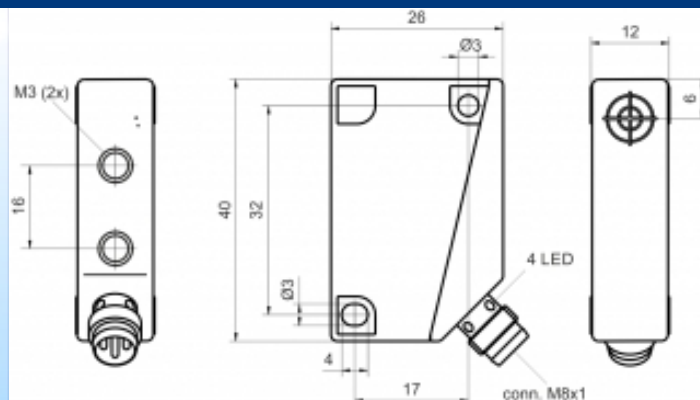




[Article Page](#)

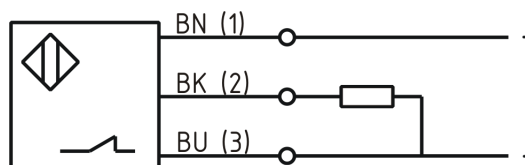
Product Description

inductive sensor DC



Name	KJ4-Q12KN-DPÖ-V1
Order number	08317613664
Matchcode	9861-3664
Switching distance	4 mm
Mounting	 non shielded
Switch type	 N.C.
Signal Type	DC PNP
Connection	connector M8

Connection diagramm



Dimension (in mm)	Q 12 x 40 x 26
-------------------	----------------

Technical Specification

Operating voltage	10 - 30 VDC
Max. ripple	≤ 10 %
Voltage drop	2,4 V
Max. load current	200 mA
No load current	≤ 13 mA
Leakage current	≤ 10 µA
Switching frequency	800
Switching hysteresis	≤ 15 %
Operating temperature	-25 ° C to 70 ° C

Temperature drift	≤ 10 %
Repeat accuracy	≤ 2 %
Swiching state	LED
Short-circuit proof	yes
Overload protection	yes
Reverse voltage protection	yes
Protection category	IP67
EMC-level	DIN EN 60947-5-2:2008
Housing material	PBT
Utilisation category	DC 13
Termination	Connector M8 3pin

Errors and omissions exceptet