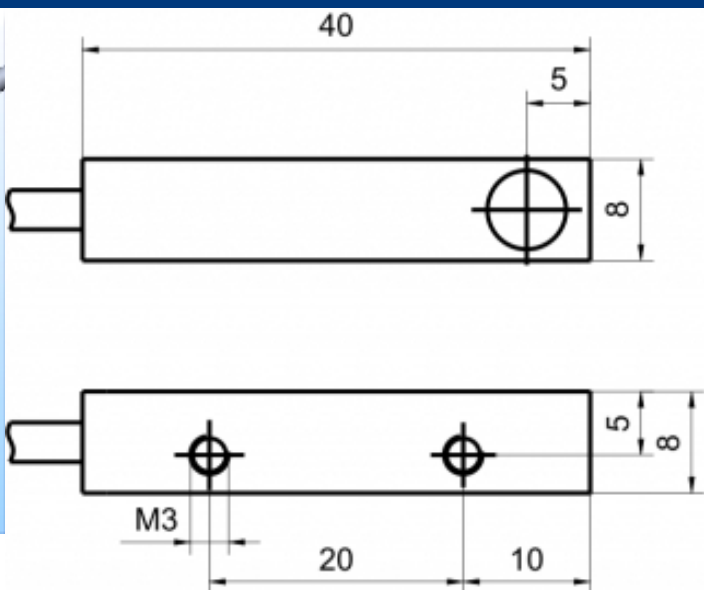
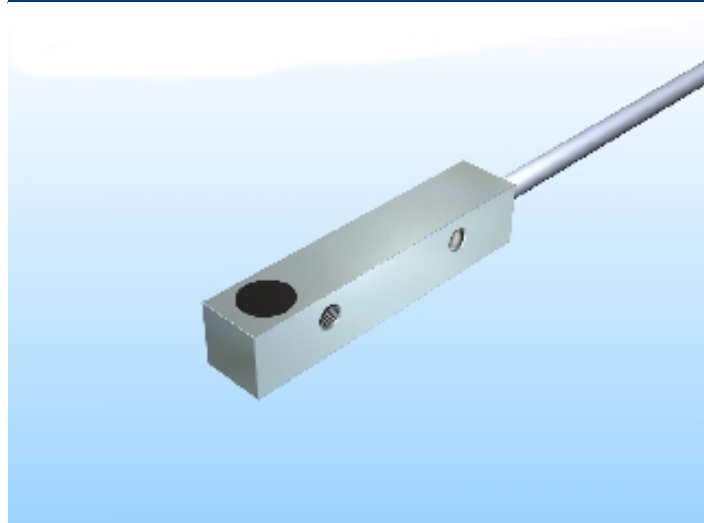





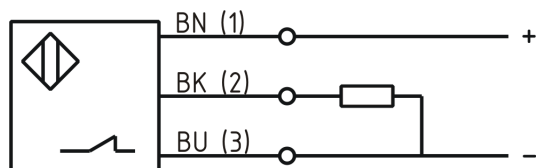
[Article Page](#)

**Product Description** **inductive sensor DC**



Name	KJ2-Q8MB-DPÖ
Order number	08310020475
Switching distance	2 mm
Mounting	 shielded
Switch type	 N.C.
Signal Type	DC PNP
Connection	 Cable

Connection diagramm



Dimension (in mm)	Q 8 x 8 x 40
-------------------	--------------

**Technical Specification**

Operating voltage	10 - 30 VDC
Max. ripple	≤ 10 %
Voltage drop	2,4 V
Max. load current	200 mA
No load current	≤ 13 mA
Leakage current	≤ 10 μA
Switching frequency	1000 Hz
Switching hysteresis	≤ 15 %

Operating temperature	-25 ° C to 70 ° C
Temperature drift	≤ 10 %
Repeat accuracy	≤ 5 %
Swiching state	LED
Time delay	100 ms
Short-circuit proof	yes
Overload protection	yes
Reverse voltage protection	yes
Protection category	IP67
EMC-level	DIN EN 60947-5-2:2008
Housing material	Brass, nickel plated
Material active face	Ultramid schwarz (black)
Cable length	2 m
Utilisation category	DC 13
Cable material	PVC LIYY grau (grey)
Cable cross	3x0.14 mm <sup>2</sup>
FIT / MTTF acc. to SIEMENS 29500	49,56 / 2369y

**Errors and omissions exceptet**