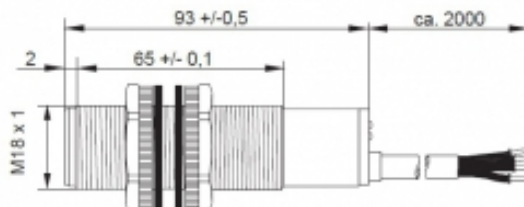

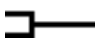


[Article Page](#)

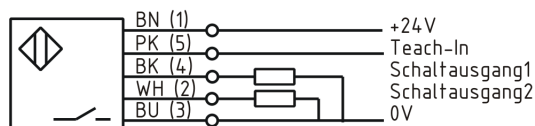
Product Description

ultrasonic sensor



Name	KURT1600-M18KB93-DPSS
Order number	08400832600
Matchcode	9983-2600
art_schaltabstand_einstellbar	yes
Switch type	 Switchable
Signal Type	DC PNP
Connection	 Cable

Connection diagramm



Dimension (in mm)	M18 x 93
-------------------	----------

Technical Specification

Signal type	Taster
Operating voltage	15 - 30 VDC
Max. load current	500 mA
Switching frequency	7 Hz
Operating temperature	-15 ° C to 70 ° C
Repeat accuracy	+/- 0,2% / +/- 2 mm
Operating state	LED
Switching state	LED
Carrier frequency	360 kHz
Sound beam	ca. 8°
Measuring range	8-160 cm

Short-circuit proof	yes
Overload protection	yes
Reverse voltage protection	yes
Protection category	IP67
EMC-level	DIN EN 60947-5-2:2008
Housing material	Plastic
Termination	2m PVC 3x0,34mm ²

Errors and omissions exceptet