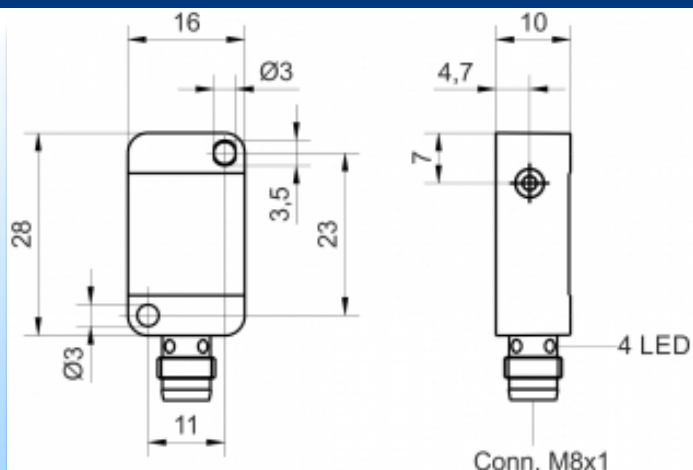


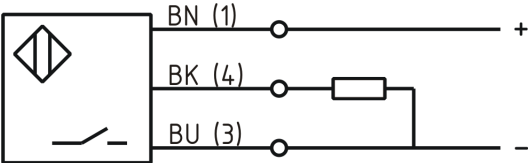


[Article Page](#)

Product Description

inductive sensor DC



Name	KJ2-Q28KB-DPS-V1
Order number	08310000608
Switching distance	2 mm
Mounting	 shielded
Switch type	 N.O.
Signal Type	DC PNP
Connection	connector M8
Connection diagramm	

Dimension (in mm) Q 28 x 10 x 16

Technical Specification

Operating voltage	10 - 30 VDC
Max. ripple	≤ 10 %
Voltage drop	2,4 V
Max. load current	200 mA
No load current	≤ 13 mA
Leakage current	≤ 10 µA
Switching frequency	1000 Hz
Switching hysteresis	≤ 15 %
Operating temperature	-25 ° C to 70 ° C
Temperature drift	≤ 10 %

Repeat accuracy	≤ 2 %
Switching state	LED
Time delay	100 ms
Short-circuit proof	yes
Overload protection	yes
Reverse voltage protection	yes
Protection category	IP67
EMC-level	DIN EN 60947-5-2: 2008
Housing material	Plastic
Utilisation category	DC 13
Contact material	Cu
Contact surface material	NiAu
Termination	connector M8 3pin
FIT / MTTF acc. to SIEMENS 29500	39,89 / 2862y
Housing material	PA6 GF30 black translucent

Errors and omissions exceptet