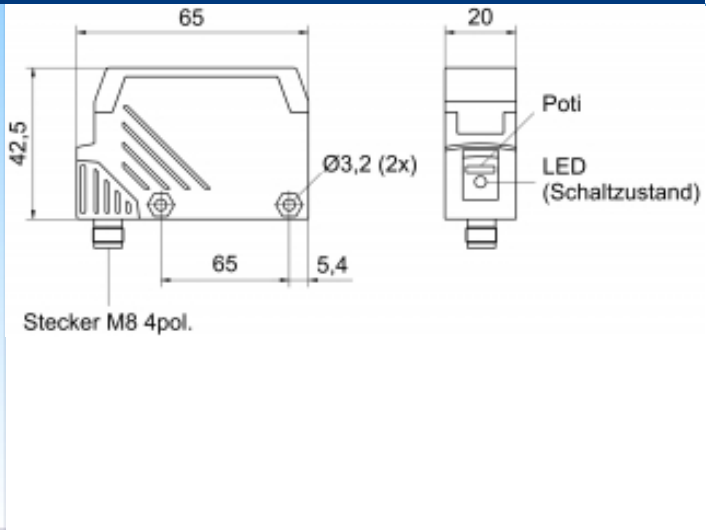
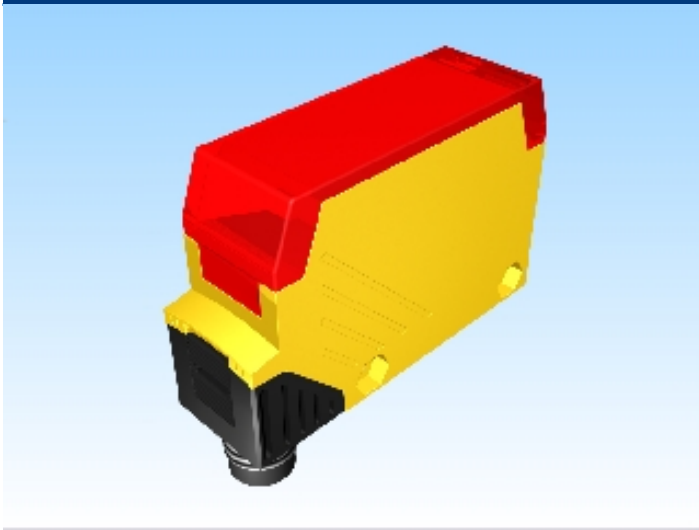


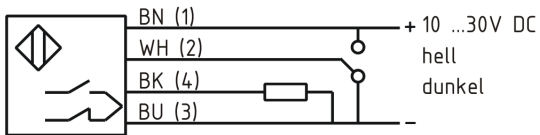


[Article Page](#)

**Product Description**

**reflex light barrier**



Name	KORP13M-Q64KB-DPU-V1-RT
Order number	08362215005
Switch type	 Switchable
Signal Type	PNP
Illuminant	 Red light 650 nm
Connection	connector M8
Connection diagramm	

Dimension (in mm)	Q 20 x 60 x 43
-------------------	----------------

**Technical Specification**

Signal type	Polarized retroreflective sensor
Operating voltage	10 - 30 V DC
Max. load current	100 mA
No load current	< 35 mA
Switching frequency	700 Hz
Operating temperature	-25 ° C to 55 ° C
Swiching state	LED
Measuring range	13 m
Sensitivity adjustable	ja
Short-circuit proof	yes
Overload protection	yes
Reverse voltage protection	yes
Protection category	IP67

---

EMC-level	DIN EN 60947-5-2:2008
Housing material	Plastic
Termination	Connector M8 4pol

---

**Errors and omissions exceptet**