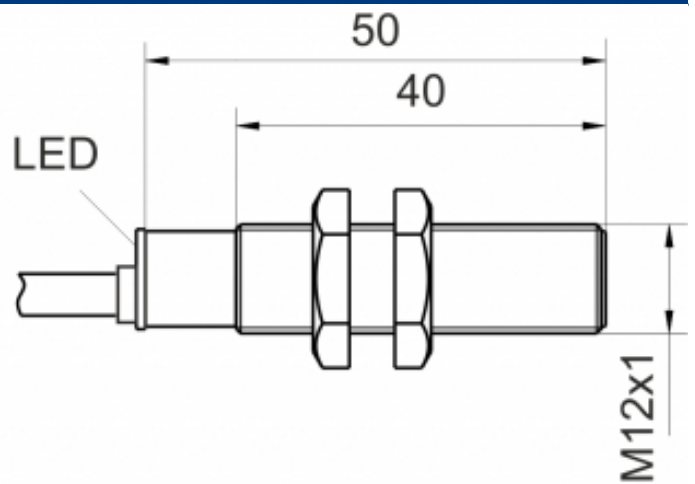





[Article Page](#)

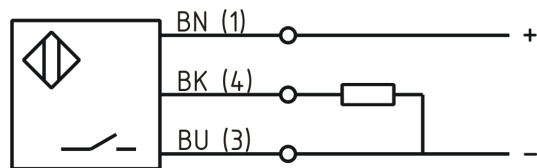
Product Description

inductive sensor weld immune



| | |
|--------------------|--|
| Name | KJ2-M12MB50-DPS-SF |
| Order number | 08317625840 |
| Matchcode | 9962-5840 |
| Switching distance | 2 mm |
| Mounting |  shielded |
| Switch type |  N.O. |
| Signal Type | DC PNP |
| Connection |  Cable |

Connection diagramm



| | |
|-------------------|----------------------------|
| Dimension (in mm) | fine-pitch thread M12 x 50 |
|-------------------|----------------------------|

Technical Specification

| | |
|-------------------|--|
| Special features | max welding current 20 kA with 25mm distance of welding cable resistant against alternating magnetic field up to 150 mT |
| Operating voltage | 10 - 30 V DC |
| Max. ripple | ≤ 10 % |
| Voltage drop | 2,4 V |
| Max. load current | 200 mA |

| | |
|----------------------------------|------------------------|
| No load current | ≤ 10 mA |
| Leakage current | ≤ 10 μA |
| Switching frequency | 15 Hz |
| Switching hysteresis | ≤ 15 % |
| Operating temperature | -25 ° C to 75 ° C |
| Temperature drift | ≤ 10 % |
| Repeat accuracy | ≤ 10 % |
| Switching state | LED |
| Time delay | 300 ms |
| Short-circuit proof | yes |
| Overload protection | yes |
| Reverse voltage protection | yes |
| Protection category | IP67 |
| EMC-level | DIN EN 60947-5-2:2008 |
| Material active face | PTFE weiss (white) |
| Cable length | 2 m |
| Utilisation category | DC 13 |
| Cable material | PVC LIYY grau (grey) |
| Nominal operating voltage | 24 V DC |
| Cable cross | 3x0.34 mm ² |
| Housing Material | Brass, PTFE-coated |
| FIT / MTTF acc. to SIEMENS 29500 | 117,14 / 975y |

Errors and omissions excepted