


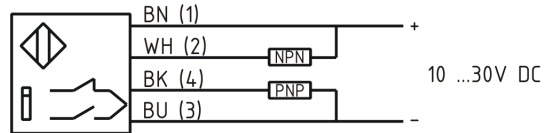


[Article Page](#)

**Product Description** **reflex light probe**

|                    |                                                                                                         |
|--------------------|---------------------------------------------------------------------------------------------------------|
| Name               | KORT130-Q31KB-DMU-V1-IR                                                                                 |
| Order number       | 08361260021                                                                                             |
| Matchcode          | MP-D0130D-CX9Q4UP                                                                                       |
| Switching distance | 130 mm                                                                                                  |
| Switch type        |  Switchable            |
| Signal Type        | DC PNP/NPN                                                                                              |
| Illuminant         |  Infrared light 880 nm |
| Connection         |  Connector             |

Connection diagramm



|                   |              |
|-------------------|--------------|
| Dimension (in mm) | 12 x 31 x 30 |
|-------------------|--------------|

**Technical Specification**

|                            |                       |
|----------------------------|-----------------------|
| Signal type                | Diffuse mode sensor   |
| Operating voltage          | 10 - 30 V DC          |
| Max. load current          | 150 mA                |
| No load current            | < 25 mA               |
| Switching frequency        | 500                   |
| Operating temperature      | -25 ° C to 70 ° C     |
| Swiching state             | LED                   |
| Digital output             |                       |
| Sensitivity adjustable     | ja                    |
| Sensing range adjustable   | nein                  |
| Short-circuit proof        | yes                   |
| Overload protection        | yes                   |
| Reverse voltage protection | yes                   |
| Protection category        | IP67                  |
| EMC-level                  | DIN EN 60947-5-2:2008 |
| Housing material           | Plastic               |
| Termination                | Connector M8 4pol     |

**Errors and omissions exceptet**