

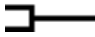
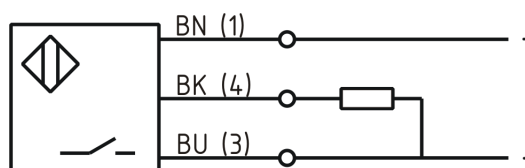


[Article Page](#)

Product Description **polarized reflex light barrier**

Name	KORP2000-Q30KB-DPS-RT
Order number	08361822200
Matchcode	9882-2200
Switch type	 N.O.
Signal Type	DC PNP
Illuminant	 Red light 660 nm
Connection	 Cable

Connection diagramm



Dimension (in mm)	15 x 30 x 30
-------------------	--------------

Technical Specification

Signal type	Polarized retroreflective sensor
Operating voltage	10 - 36 V DC
Max. load current	200 mA
No load current	< 15 mA
Switching frequency	1000
Operating temperature	-25 ° C to 55 ° C
Swiching state	LED
Digital output	
Measuring range	2 m
Sensitivity adjustable	ja
Sensing range adjustable	nein
Short-circuit proof	yes
Overload protection	yes
Reverse voltage protection	yes
Protection category	IP65
EMC-level	DIN EN 60947-5-2:2008
Housing material	Plastic
Termination	2m PVC 3x0,14mm ²

Errors and omissions exceptet