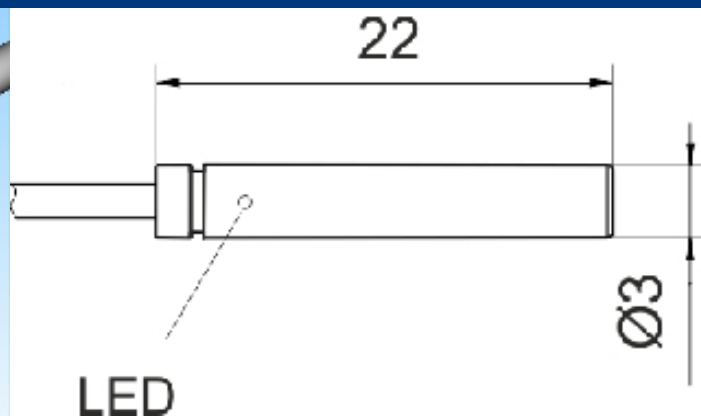
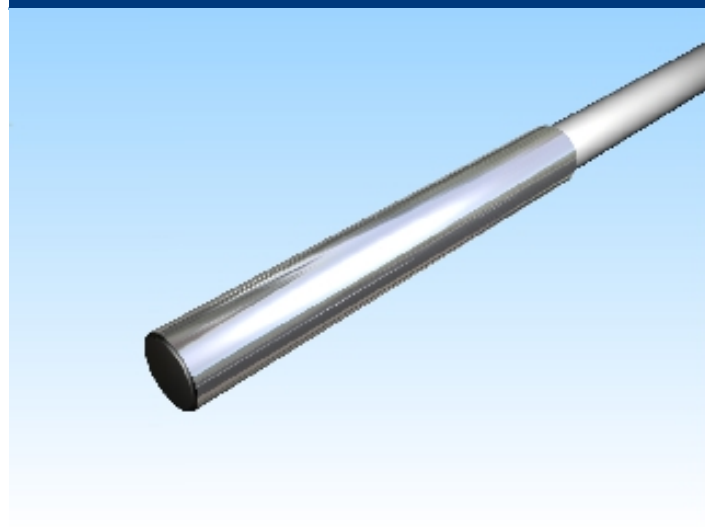


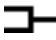


[Article Page](#)

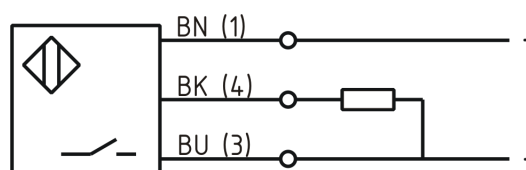
**Product Description**

**inductive sensor DC**



Name	SJ0,8-G3EB22-DPS
Order number	08313030081
Matchcode	9980-3010
Mounting	 shielded
Switch type	 N.O.
Signal Type	DC PNP
Connection	 Cable

Connection diagramm



Dimension (in mm)	D 3 x 22
-------------------	----------

**Technical Specification**

Operating voltage	10 - 30 VDC
Max. ripple	≤ 10 %
Voltage drop	1 V
Max. load current	200 mA
No load current	≤ 10 mA
Leakage current	≤ 10 µA
Switching frequency	2000 Hz
Switching hysteresis	≤ 15 %
Operating temperature	-25 ° C to 70 ° C

Temperature drift	≤ 10 %
Repeat accuracy	≤ 1 %
Swiching state	LED
Efficiency	DC 13
Short-circuit proof	yes
Overload protection	yes
Reverse voltage protection	yes
Protection category	IP67
EMC-level	DIN EN 60947-5-2:2008
Housing material	Stainless steel V2A
Material active face	POM
Cable material	PUR LIY11Y grau (gre
Termination	2m PUR 3x0,15mm <sup>2</sup>

**Errors and omissions exceptet**