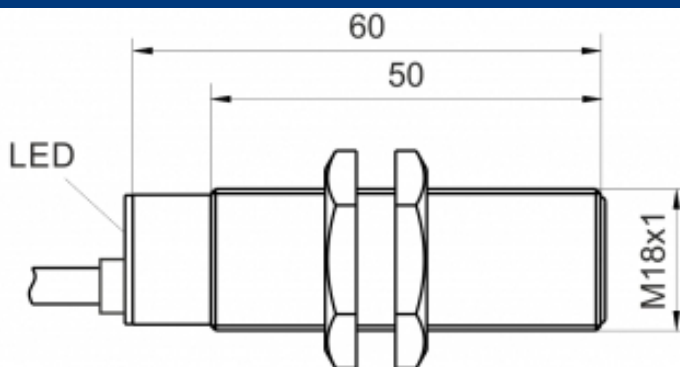





[Article Page](#)

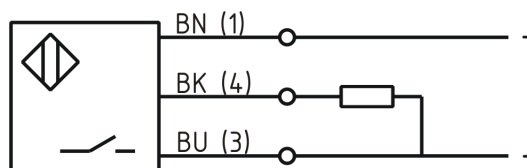
**Product Description**

**inductive sensor weld immune**



Name	KJ5-M18MB60-DPS-SF
Order number	08317645840
Matchcode	9964-5840
Switching distance	5 mm
Mounting	 shielded
Switch type	 N.O.
Signal Type	DC PNP
Connection	 Cable

Connection diagramm



Dimension (in mm) fine-pitch thread M18 x 60

**Technical Specification**

Special features	resistant against welding current up to 20 kA in a distance of 25mm to wires proofed against alternating magnetic fields up to 150 mT
Operating voltage	10 - 30 V DC
Max. ripple	≤ 10 %
Voltage drop	2,4 V
Max. load current	200 mA

No load current	≤ 10 mA
Leakage current	≤ 10 μA
Switching frequency	15 Hz
Switching hysteresis	≤ 15 %
Operating temperature	-25 ° C to 75 ° C
Temperature drift	≤ 10 %
Repeat accuracy	≤ 10 %
Switching state	LED
Time delay	300 ms
Short-circuit proof	yes
Overload protection	yes
Reverse voltage protection	yes
Protection category	IP67
EMC-level	DIN EN 60947-5-2:2008
Material active face	PTFE weiss (white)
Cable length	2 m
Utilisation category	DC 13
Cable material	PVC LIYY grau (grey)
Nominal operating voltage	24 V DC
Cable cross	3x0.34 mm <sup>2</sup>
Housing Material	Brass, PTFE-coated
FIT / MTTF acc. to SIEMENS 29500	121,06 / 943y

**Errors and omissions excepted**