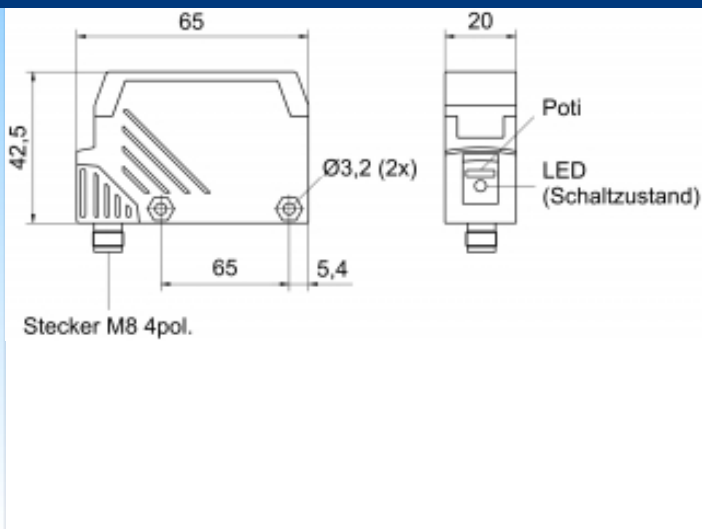
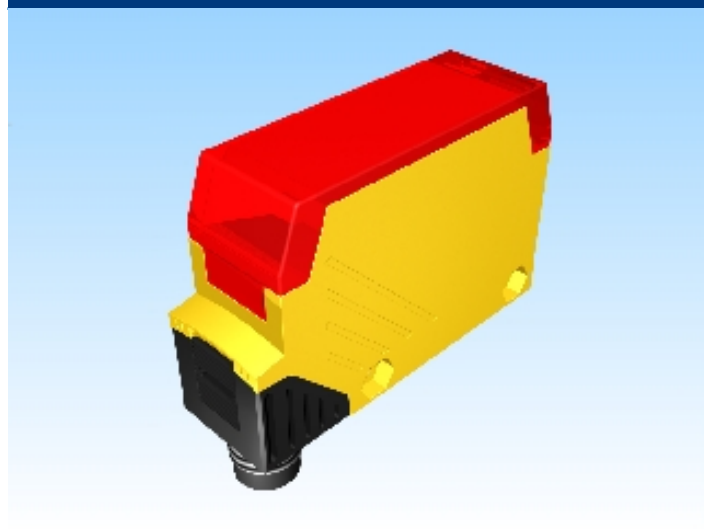





[Article Page](#)

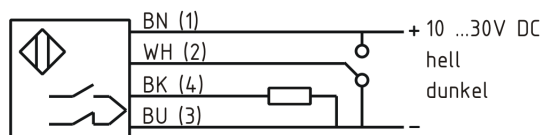
Product Description

one-way light barrier



Name	KOES22M-Q64KB-DPU-V1-IR
Order number	08363215008
Switch type	 Switchable
Signal Type	DC PNP
Illuminant	 Infrared light 880 nm
Connection	 Connector

Connection diagramm



Dimension (in mm)	Q 20 x 60 x 43
-------------------	----------------

Technical Specification

Operating voltage	10 - 30 V DC
Max. load current	100 mA
No load current	< 35 mA
Switching frequency	33 Hz
Operating temperature	-25 ° C to 55 ° C
Swiching state	LED
Measuring range	22 m
Sensitivity adjustable	ja
Short-circuit proof	yes
Overload protection	yes
Reverse voltage protection	yes
Protection category	IP67

EMC-level	DIN EN 60947-5-2:2008
Housing material	Plastic
Termination	Connector M8 4pol

Errors and omissions exceptet