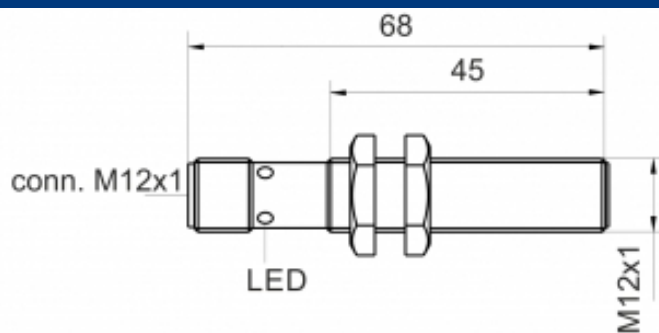
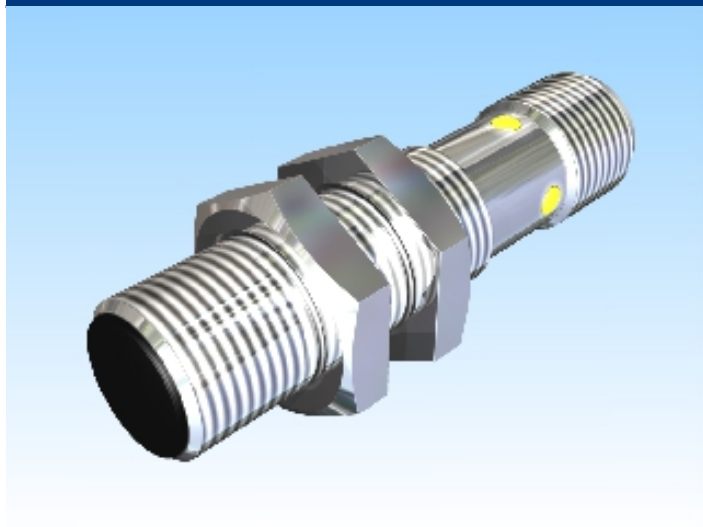




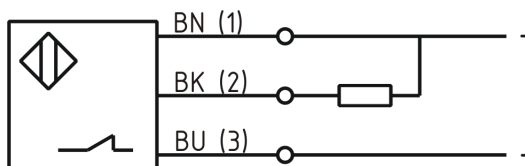
[Article Page](#)

Product Description

inductive sensor DC



Name	SJ6-M12MB68-DNÖ-V2
Order number	08317825565
Switching distance	6 mm
Mounting	 shielded
Switch type	 N.C.
Signal Type	NPN
Connection	connector M12
Connection diagramm	



Dimension (in mm)	fine-pitch thread M12 x 68
-------------------	----------------------------

Technical Specification

Special features	quasi-shielded mounting
Operating voltage	10 - 30 V DC
Max. ripple	≤ 10 %
Voltage drop	1 V
Max. load current	200 mA
No load current	≤ 10 mA
Leakage current	≤ 10 μA
Switching frequency	1000 Hz
Switching hysteresis	≤ 15 %
Operating temperature	-25 ° C to 70 ° C

Temperature drift	≤ 10 %
Repeat accuracy	≤ 5 %
Swiching state	LED
Time delay	300 ms
Short-circuit proof	yes
Overload protection	yes
Reverse voltage protection	yes
Protection category	IP 67
EMC-level	acc. to DIN EN 60947-5-2: 2008
Housing material	Brass, nickel plated
Utilisation category	DC 13
Contact material	CuSn
Contact surface material	NiAu
Nominal operating voltage	24 V DC
Termination	Connector M12 4pin

Errors and omissions exceptet