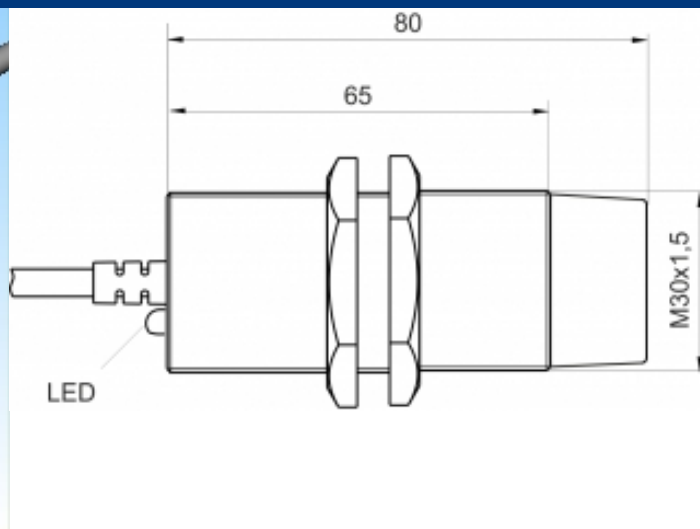



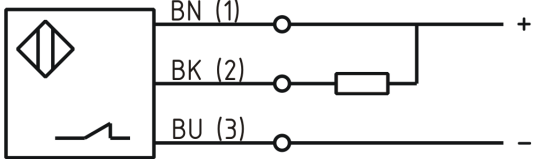


[Article Page](#)

Product Description

inductive sensor DC



Name	SJ40-M30MN80-DNÖ
Order number	08313304047
Switching distance	40 mm
Mounting	 non shielded
Switch type	 N.C.
Signal Type	DC NPN
Connection	 Cable
Connection diagramm	

Dimension (in mm)	fine-pitch thread M30 x 80
-------------------	----------------------------

Technical Specification

Operating voltage	10 - 30 VDC
Max. ripple	≤ 10 %
Voltage drop	2 V
Max. load current	200 mA
No load current	≤ 10 mA
Leakage current	≤ 50 µA
Switching frequency	100 Hz
Switching hysteresis	≤ 15 %
Operating temperature	-25 ° C to 70 ° C

Temperature drift	≤ 10 %
Repeat accuracy	≤ 5 %
Swiching state	LED
Time delay	300 ms
Short-circuit proof	yes
Overload protection	yes
Reverse voltage protection	yes
Protection category	IP67
EMC-level	DIN EN 60947-5-2:2008
Housing material	Brass, nickel plated
Material active face	PBT
Cable length	2 m
Utilisation category	DC 13
Cable material	PVC LIYY grau (grey)
Nominal operating voltage	24 V DC
Cable cross	3x0.34 mm ²

Errors and omissions exceptet