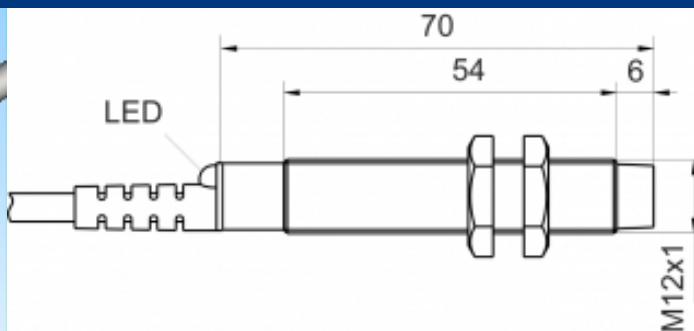
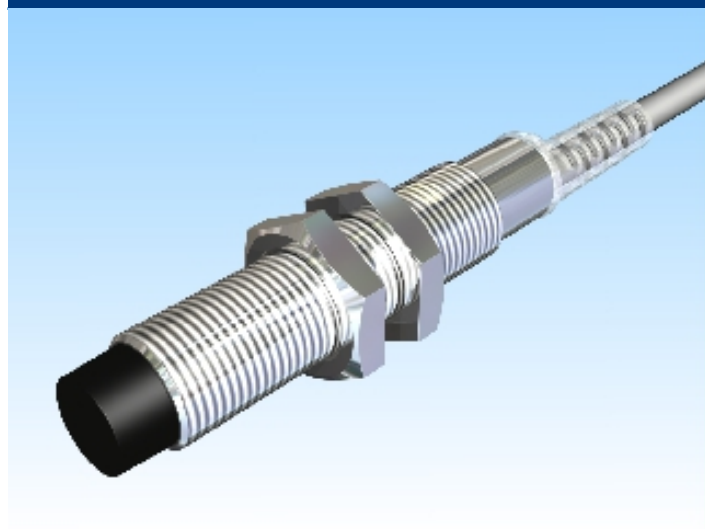





[Article Page](#)

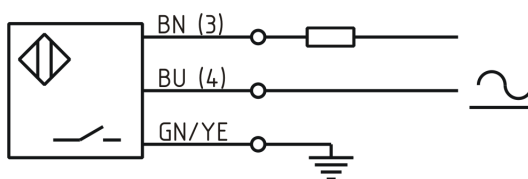
Product Description

inductive sensor AC/DC



Name	KJ4-M12MN70-VZS
Order number	08317251500
Switching distance	4 mm
Mounting	 non shielded
Switch type	 N.O.
Signal Type	AC/DC
Connection	 Cable

Connection diagramm



Dimension (in mm)	fine-pitch thread M12 x 70
-------------------	----------------------------

Technical Specification

Operating voltage	20 - 250 V AC/DC
Voltage drop	5 V
Max. load current	300 mA
Leakage current	≤ 1,7 mA
Switching frequency	30 Hz
Switching hysteresis	≤ 15 %
Operating temperature	-25 ° C to 70 ° C
Temperature drift	≤ 10 %
Repeat accuracy	≤ 5 %

Swiching state	LED
Time delay	300 ms
Short-circuit proof	yes
Overload protection	yes
Reverse voltage protection	yes
Protection category	IP67
EMC-level	DIN EN 60947-5-2:2008
Material active face	PCB
Cable length	2 m
Utilisation category	DC 13
Cable material	PVC grau (grey) LIYY
Cable cross	3x0.5 mm ²
short peak current	2A max. 20ms
FIT / MTTF acc. to SIEMENS 25900	349,92 / 652y

Errors and omissions exceptet