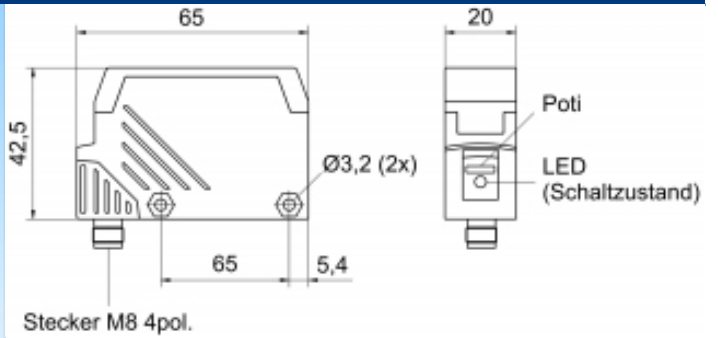
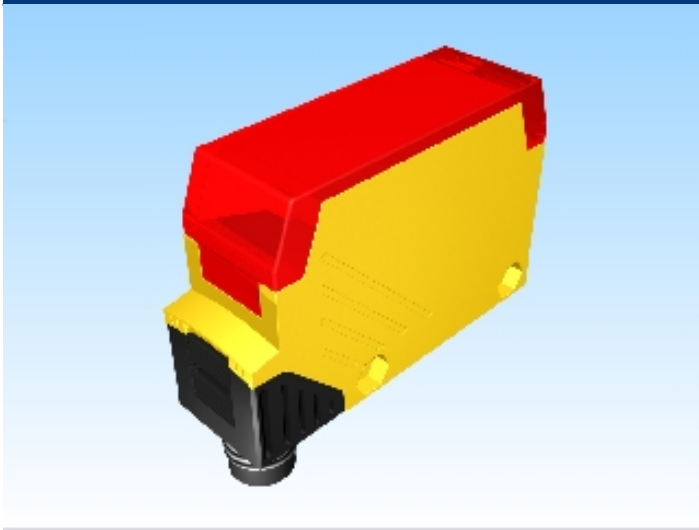


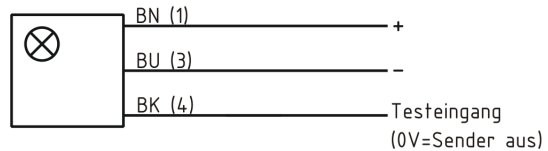
[Article Page](#)

Product Description

one-way light barrier



Name	KOES22M-Q64KB-D-V1-IR
Order number	08363215006
Signal Type	Transmitter
Illuminant	IR Infrared light 880 nm
Connection	connector M8
Connection diagramm	



Dimension (in mm)	Q 20 x 60 x 43
-------------------	----------------

Technical Specification

Operating voltage	10 - 30 V DC
No load current	< 35 mA
Operating temperature	-25 ° C to 55 ° C
Operating state	LED
Measuring range	22 m
Reverse voltage protection	yes
Protection category	IP67
EMC-level	DIN EN 60947-5-2:2008
Housing material	Plastic
Termination	Connector M8 4pol
Notes	Sender mit Testeingang



KOES22M-Q64KB-D-V1-IR

Pulsotronic GmbH & Co. KG Neue Schichtstraße 14b 09366 Niederdorf Deutschland +49 (0)37296 930-200

Errors and omissions excepted