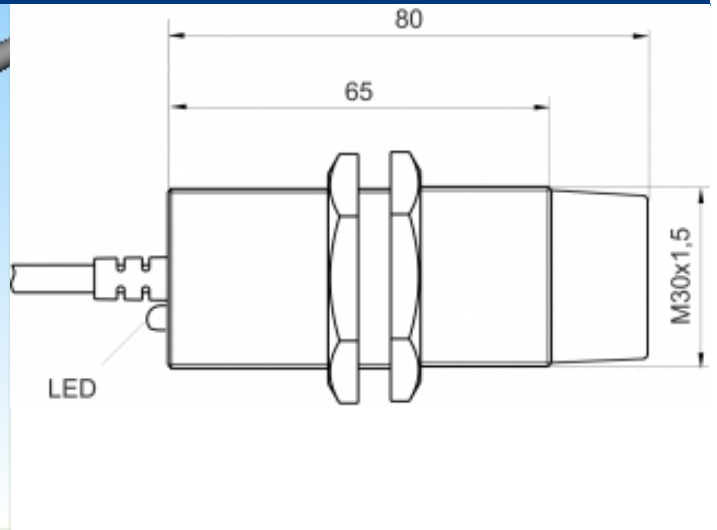
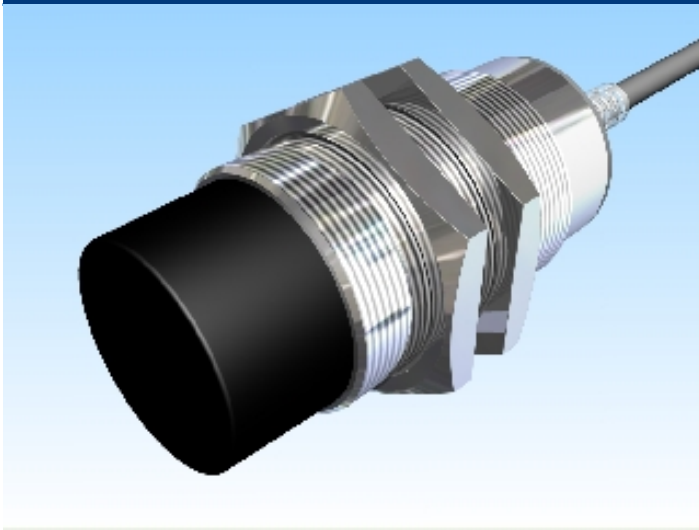


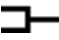


[Article Page](#)

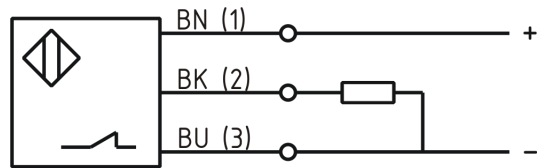
**Product Description**

**inductive sensor DC**



|                    |  |
|--------------------|--|
| Name               | SJ40-M30MN80-DPÖ   |
| Order number       | 08313304027  |
| Switching distance | 40 mm  |
| Mounting           |  non shielded |
| Switch type        |  N.C.         |
| Signal Type        | DC PNP   |
| Connection         |  Cable        |

Connection diagramm



|                   |                            |
|-------------------|----------------------------|
| Dimension (in mm) | fine-pitch thread M30 x 80 |
|-------------------|----------------------------|

**Technical Specification**

|                       |                   |
|-----------------------|-------------------|
| Operating voltage     | 10 - 30 VDC       |
| Max. ripple           | ≤ 10 %            |
| Voltage drop          | 2 V               |
| Max. load current     | 200 mA            |
| No load current       | ≤ 10 mA           |
| Leakage current       | ≤ 50 µA           |
| Switching frequency   | 100 Hz            |
| Switching hysteresis  | ≤ 15 %            |
| Operating temperature | -25 ° C to 70 ° C |

|                            |                        |
|----------------------------|------------------------|
| Temperature drift          | ≤ 10 %                 |
| Repeat accuracy            | ≤ 5 %                  |
| Swiching state             | LED                    |
| Time delay                 | 300 ms                 |
| Short-circuit proof        | yes                    |
| Overload protection        | yes                    |
| Reverse voltage protection | yes                    |
| Protection category        | IP67                   |
| EMC-level                  | DIN EN 60947-5-2:2008  |
| Housing material           | Brass, nickel plated   |
| Material active face       | PBT                    |
| Cable length               | 2 m                    |
| Utilisation category       | DC 13                  |
| Cable material             | PVC LIYY grau (grey)   |
| Nominal operating voltage  | 24 V DC                |
| Cable cross                | 3x0.34 mm <sup>2</sup> |

**Errors and omissions exceptet**