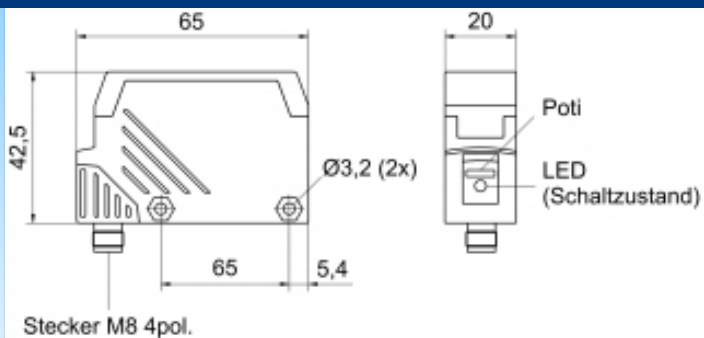
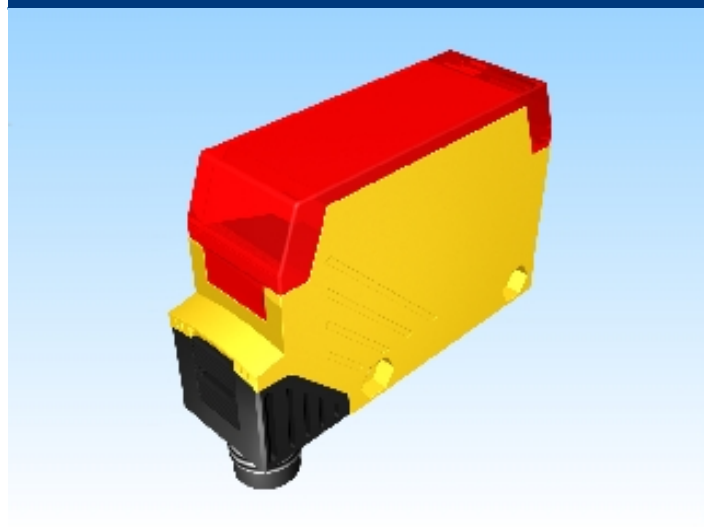


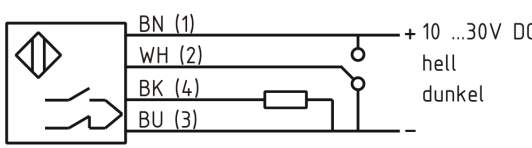


[Article Page](#)

Product Description

reflex light probe with background suppression



Name	KORH500-Q64KB-DPU-V1-RT
Order number	08361215020
art_schaltabstand_einstellbar	yes
Switching distance	from 150 mm to 500 mm
Switch type	 Switchable
Signal Type	PNP
Illuminant	 Red light 650 nm
Connection	connector M8
Connection diagramm	

Dimension (in mm) Q 20 x 60 x 43

Technical Specification

Signal type	Background suppression sensor
Operating voltage	10 - 30 V DC
Max. load current	100 mA
No load current	< 35 mA
Switching frequency	33 Hz
Operating temperature	-25 ° C to 55 ° C
Switching state	LED
Short-circuit proof	yes
Overload protection	yes
Reverse voltage protection	yes

Protection category	IP67
EMC-level	DIN EN 60947-5-2:2008
Housing material	Plastic
Termination	Connector M8 4pol

Errors and omissions exceptet