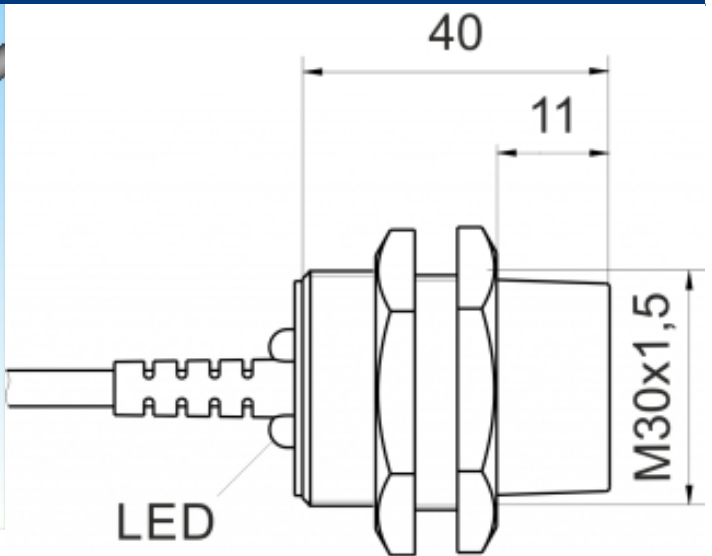
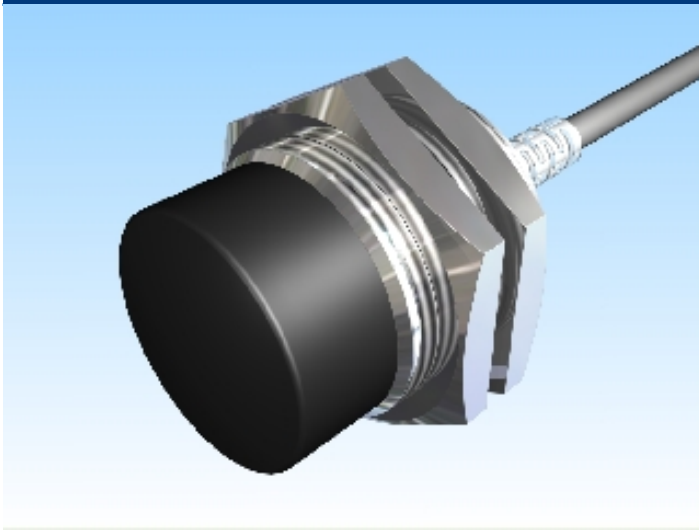





[Article Page](#)

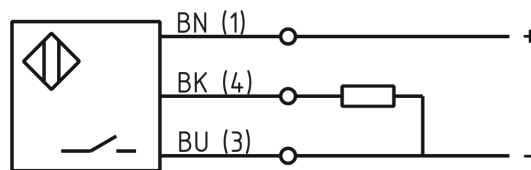
**Product Description**

**inductive sensor temperature immune**



Name	KJ15-M30MN40-DPS-T
Order number	08317666110
Matchcode	9966-6110
Switching distance	15 mm
Mounting	 non shielded
Switch type	 N.O.
Signal Type	DC PNP
Connection	 Cable

Connection diagramm



Dimension (in mm)	fine-pitch thread M30 x 40
-------------------	----------------------------

**Technical Specification**

Special features	temperature resistant up to 100C
Operating voltage	10 - 30 V DC
Max. ripple	≤ 10 %
Voltage drop	2,4 V
Max. load current	200 mA
No load current	≤ 10 mA
Leakage current	≤ 10 μA
Switching frequency	300 Hz

Switching hysteresis	≤ 15 %
Operating temperature	-40 ° C to 100 ° C
Temperature drift	≤ 15 %
Repeat accuracy	≤ 10 %
Switching state	LED
Time delay	300 ms
Short-circuit proof	yes
Overload protection	yes
Reverse voltage protection	yes
Protection category	IP67
EMC-level	DIN EN 60947-5-2:2008
Housing material	Brass, nickel plated
Material active face	Ultramid B3ZG3
Cable length	2 m
Utilisation category	DC 13
Cable material	PUR LIFY11Y schwarz
Nominal operating voltage	24 V DC
Cable cross	3x0.34 mm <sup>2</sup>
FIT / MTTF acc. to SIEMENS 29500	50,73 / 2250y

**Errors and omissions excepted**