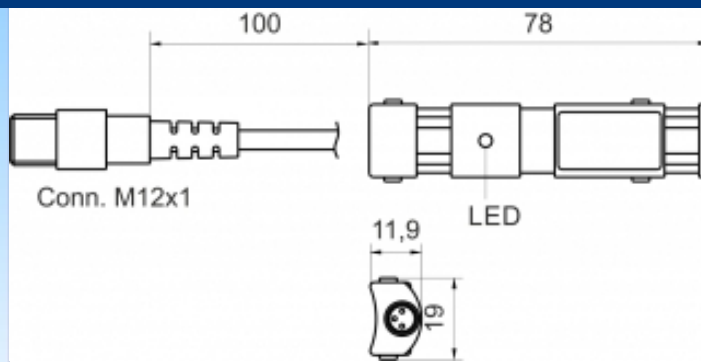




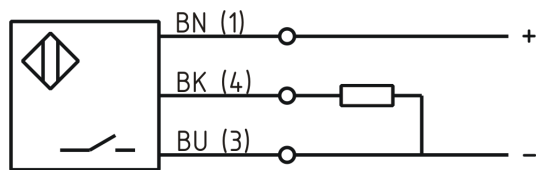
[Article Page](#)

Product Description

inductive tube sensor



Name	KJ16-Q16KN-DPS-X1133
Order number	08310001928
Switching distance	16 mm
Mounting	 non shielded
Switch type	 N.O.
Signal Type	DC PNP
Connection	connector M12
Connection diagramm	



Dimension (in mm)	S 19 x 11 x 78
-------------------	----------------

Technical Specification

Special features	Tube sensor with dynamic function
	Impulse delay 200ms
Operating voltage	10 - 30 V DC
Max. ripple	≤ 10 %
Voltage drop	2,4 V
Max. load current	200 mA
No load current	≤ 10 mA
Leakage current	≤ 10 μA
Switching hysteresis	≤ 15 %

Operating temperature	-25 ° C to 70 ° C
Temperature drift	≤ 10 %
Repeat accuracy	≤ 10 %
Swiching state	LED
Digital output	dynamic output function
Time delay	300 ms
Short-circuit proof	yes
Overload protection	yes
Reverse voltage protection	yes
Protection category	IP67
EMC-level	DIN EN 60947-5-2: 2008
Housing material	Plastic
Cable length	100 mm
Utilisation category	DC 13
Cable material	PUR
Cable cross	3x0.34 mm ²
Termination	Pigtail M12 3pin 100mm

Errors and omissions exceptet