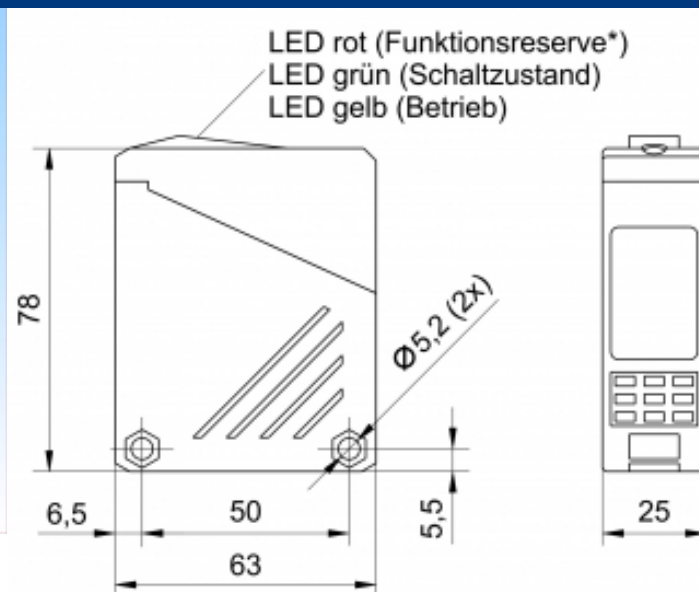



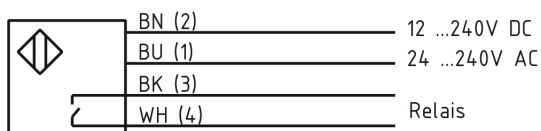
[Article Page](#)

Product Description

reflex light probe



Name	KORT800-Q76KB-VRU-NPT-IR
Order number	08361280007
Switching distance	800 mm
Switch type	 Switchable
Signal Type	Relay
Illuminant	IR Infrared light 880 nm
Connection	Terminal
Connection diagramm	



Dimension (in mm)	Q 25 x 77.5 x 63
-------------------	------------------

Technical Specification

Signal type	Diffuse mode sensor
Operating voltage	12 - 240 V DC / 24,00 - 240,00 V AC
Max. load current	3 A
No load current	< 30 mA
Switching frequency	25 Hz
Operating temperature	-25 ° C to 55 ° C
Operating state	LED
Swiching state	LED
Sensitivity adjustable	ja
Reverse voltage protection	yes

Protection category	IP65
EMC-level	DIN EN 60947-5-2:2008
Housing material	Plastic

Errors and omissions exceptet