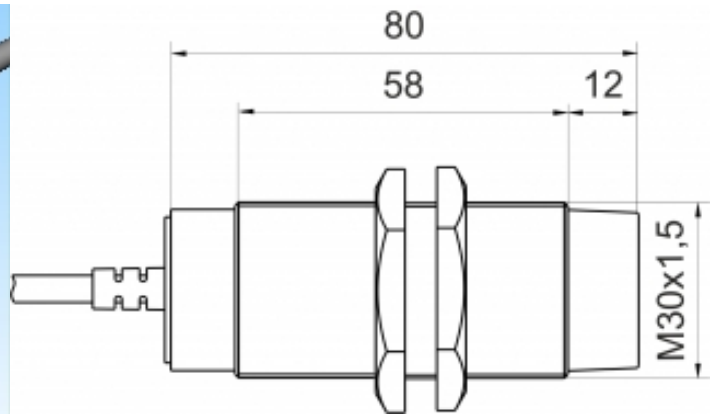
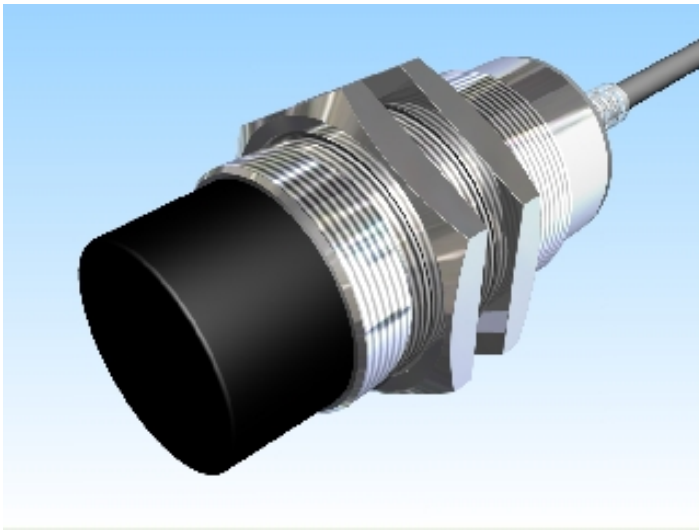


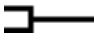
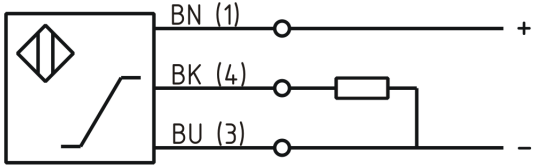


[Article Page](#)



Name	KJ14-M30MN80-ANU-F2
Order number	08317140600
Matchcode	9914-0600
Switching distance	from 7 mm to 14 mm
Mounting	 non shielded
Switch type	 analog voltage
Signal Type	Analog Voltage
Connection	 Cable
Connection diagramm	
Dimension (in mm)	fine-pitch thread M30 x 80
Special features	Output Voltage 1 ... 9 Volt opposite mounting possible with type 08317140500 (F1)
Operating voltage	18 - 30 VDC
Max. ripple	≤ 5 %
No load current	≤ 10 mA
Switching frequency	100 Hz
Operating temperature	-25 ° C to 70 ° C
Temperature drift	+/- 8 %

Repeat accuracy	≤ 1 %
Linearity	≤ 3 %
Time delay	300 ms
Resolution	1,143 V / mm
Reverse voltage protection	yes
Protection category	IP67
EMC-level	DIN EN 60947-5-7:2004-06
Housing material	Brass, nickel plated
Material active face	PCB
Cable length	2 m
Utilisation category	DC 13
Cable material	PVC LIYCY grau Scree
Nominal operating voltage	24 V DC
Cable cross	3x0.14 mm ³
internal load resistor	