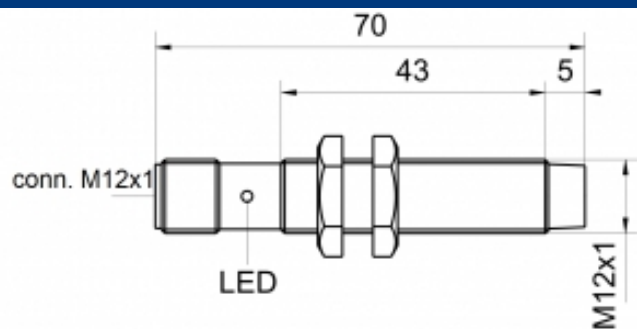


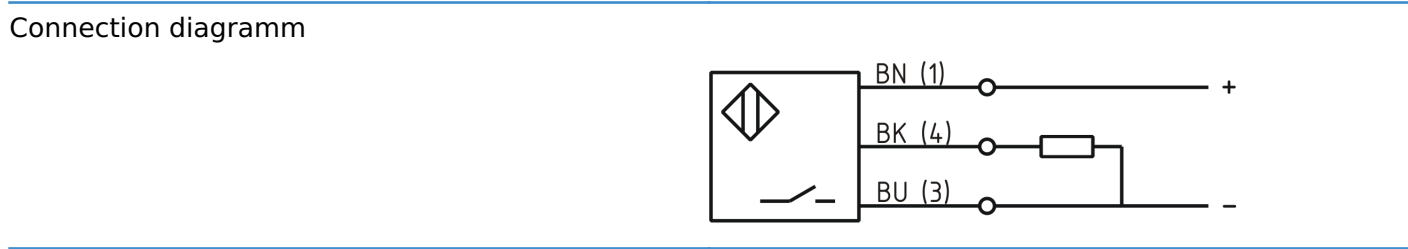


[Article Page](#)

Product Description **inductive sensor weld immune**



Name	KJ4-M12MN70-DPS-V2-SF
Order number	08317625965
Matchcode	9962-5965
Switching distance	4 mm
Mounting	 non shielded
Switch type	 N.O.
Signal Type	DC PNP
Connection	connector M12



Dimension (in mm)	fine-pitch thread M12 x 70
-------------------	----------------------------

Technical Specification

Special features	resistant against welding current up to 20 kA in a distance of 25mm to wires proofed against alternating magnetic fields up to 150 mT
Operating voltage	10 - 30 V DC
Max. ripple	≤ 10 %
Voltage drop	2,4 V
Max. load current	200 mA
No load current	≤ 10 mA

Leakage current	≤ 10 μA
Switching frequency	15 Hz
Switching hysteresis	≤ 15 %
Operating temperature	-25 ° C to 75 ° C
Temperature drift	≤ 10 %
Repeat accuracy	≤ 10 %
Switching state	LED
Time delay	300 ms
Short-circuit proof	yes
Overload protection	yes
Reverse voltage protection	yes
Protection category	IP67
EMC-level	DIN EN 60947-5-2:2008
Housing material	Brass, nickel plated
Material active face	PCB
Utilisation category	DC 13
Contact material	CuSn
Contact surface material	NiAu
Contact holder	PA 6
Nominal operating voltage	24 V DC
Termination	Connector M12 4pin
FIT / MTTF acc. to SIEMENS 29500	118,49 / 963y

Errors and omissions excepted