


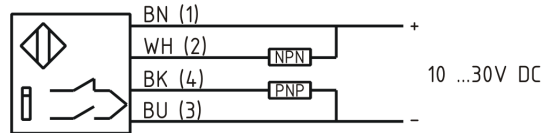


[Article Page](#)

Product Description **reflex light probe**

| | |
|--------------------|---|
| Name | KORT130-Q31KB-DMU-V1-IR |
| Order number | 08361260021 |
| Matchcode | MP-D0130D-CX9Q4UP |
| Switching distance | 130 mm |
| Switch type |  Switchable |
| Signal Type | DC PNP/NPN |
| Illuminant |  Infrared light 880 nm |
| Connection |  Connector |

Connection diagramm



| | |
|-------------------|--------------|
| Dimension (in mm) | 12 x 31 x 30 |
|-------------------|--------------|

Technical Specification

| | |
|----------------------------|-----------------------|
| Signal type | Diffuse mode sensor |
| Operating voltage | 10 - 30 V DC |
| Max. load current | 150 mA |
| No load current | < 25 mA |
| Switching frequency | 500 |
| Operating temperature | -25 ° C to 70 ° C |
| Swiching state | LED |
| Digital output | |
| Sensitivity adjustable | ja |
| Sensing range adjustable | nein |
| Short-circuit proof | yes |
| Overload protection | yes |
| Reverse voltage protection | yes |
| Protection category | IP67 |
| EMC-level | DIN EN 60947-5-2:2008 |
| Housing material | Plastic |
| Termination | Connector M8 4pol |

Errors and omissions exceptet