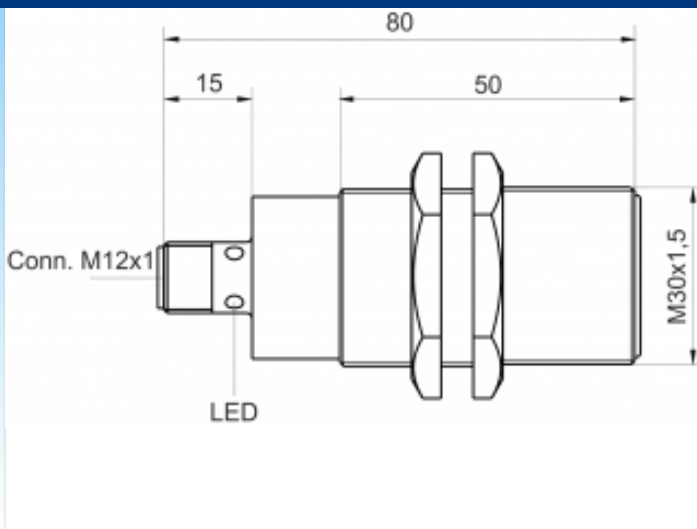
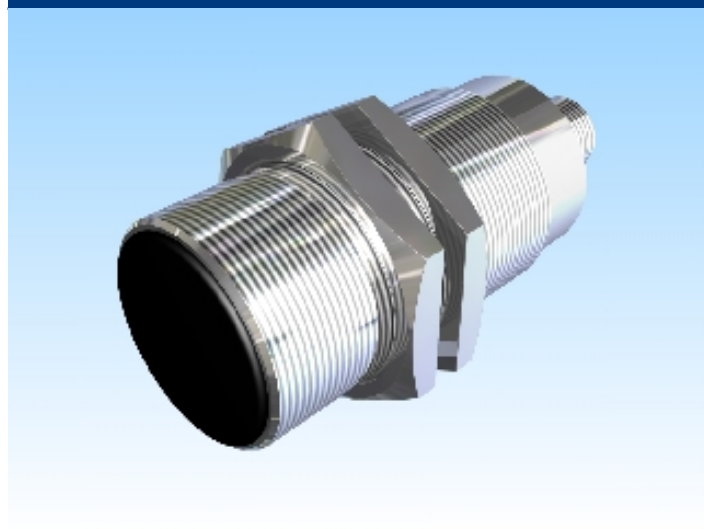




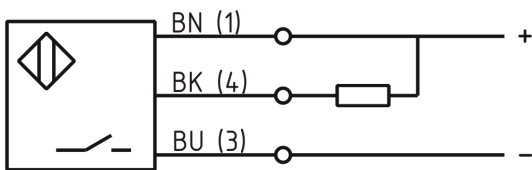
[Article Page](#)

Product Description

inductive sensor DC



Name	SJ22-M30MB80-DNS-V2
Order number	08313223032
Switching distance	22 mm
Mounting	 shielded
Switch type	 N.O.
Signal Type	DC NPN
Connection	connector M12
Connection diagramm	



Dimension (in mm)	fine-pitch thread M30 x 80
-------------------	----------------------------

Technical Specification

Special features	quasi-shielded mounting
Operating voltage	10 - 30 VDC
Max. ripple	≤ 10 %
Voltage drop	2 V
Max. load current	200 mA
No load current	≤ 10 mA
Leakage current	≤ 50 μA
Switching frequency	300 Hz
Switching hysteresis	≤ 15 %
Operating temperature	-25 ° C to 70 ° C

Temperature drift	≤ 10 %
Repeat accuracy	≤ 5 %
Switching state	LED
Time delay	300 ms
Short-circuit proof	yes
Overload protection	yes
Reverse voltage protection	yes
Protection category	IP67
EMC-level	DIN EN 60947-5-2:2008
Housing material	Brass, nickel plated
Material active face	PBT
Utilisation category	DC 13
Contact material	CuSn
Contact surface material	NiAu
Nominal operating voltage	24 V DC
Termination	Connector M12 4pin

Errors and omissions exceptet