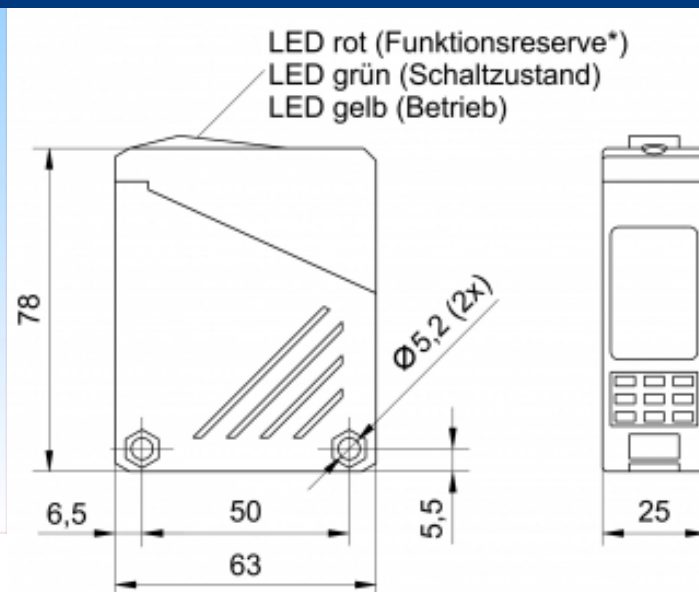





[Article Page](#)

Product Description

one-way light barrier



Name	KOES28M-Q76KB-DPU-NPT-IR
Order number	08363280003
Switch type	 Switchable
Signal Type	PNP
Illuminant	 Infrared light 880 nm
Connection	Terminal
Connection diagramm	

Dimension (in mm) Q 25 x 77.5 x 63

Technical Specification

Signal type	Throughbeam sensor
Operating voltage	10 - 30 V DC
Max. load current	100 mA
No load current	< 35 mA
Switching frequency	500 Hz
Operating temperature	-25 ° C to 55 ° C
Operating state	LED
Swiching state	LED
Measuring range	28 m
Sensitivity adjustable	ja
Short-circuit proof	yes

Overload protection	yes
Reverse voltage protection	yes
Protection category	IP67
EMC-level	DIN EN 60947-5-2:2008
Housing material	Plastic

Errors and omissions exceptet