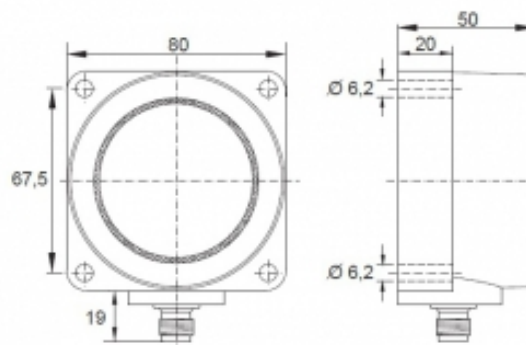

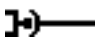
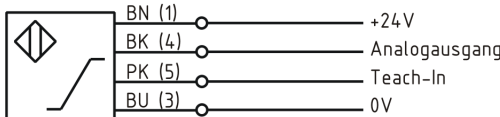


[Article Page](#)

Product Description

ultrasonic sensor



Name	KURT6000-Q80KB50-ANU-V2
Order number	08400830463
Matchcode	9983-0463
Switch type	 analog
Signal Type	Analog Voltage
Connection	 Connector
Connection diagramm	

Dimension (in mm)	Q 80 x 50 x 80
-------------------	----------------

Technical Specification

Signal type	Taster
Operating voltage	15 - 30 VDC
No load current	< 35 mA
Operating temperature	-15 ° C to 70 ° C
Repeat accuracy	+/- 0,2% / +/- 2 mm
Linearity	0,3 %
Operating state	LED
Analog output	Pulso_has10-10V
Time delay	700 ms
Carrier frequency	80 kHz
Sound beam	ca. 8°
Pulse rate of rise	teach in

Measuring range	60-600 cm
Short-circuit proof	yes
Overload protection	yes
Reverse voltage protection	yes
Protection category	IP67
EMC-level	DIN EN 60947-5-7:2004-06
Housing material	Plastic
Termination	Connector M12 5pol

Errors and omissions exceptet