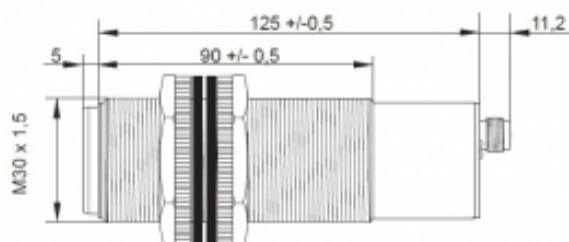




[Article Page](#)

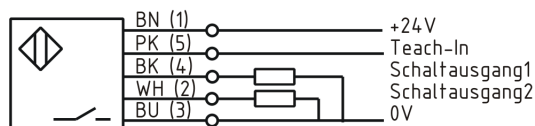
Product Description

ultrasonic sensor



Name	KURT3500-M30KB125-DPSS-V2
Order number	08400832363
Matchcode	9983-2363
art_schaltabstand_einstellbar	yes
Switch type	 Switchable
Signal Type	DC PNP
Connection	 Connector

Connection diagramm



Dimension (in mm)	M30 x 130
-------------------	-----------

Technical Specification

Signal type	Taster
Operating voltage	15 - 30 VDC
Max. load current	500 mA
No load current	< 35 mA
Switching frequency	1,2 Hz
Operating temperature	-15 ° C to 70 ° C
Repeat accuracy	+/- 0,2% / +/- 1,2 mm
Operating state	LED
Swiching state	LED
Carrier frequency	130 kHz
Sound beam	ca. 8°

Measuring range	30-350 cm
Short-circuit proof	yes
Overload protection	yes
Reverse voltage protection	yes
Protection category	IP67
EMC-level	DIN EN 60947-5-2:2008
Housing material	Plastic
Termination	Connector M12 5pol

Errors and omissions exceptet