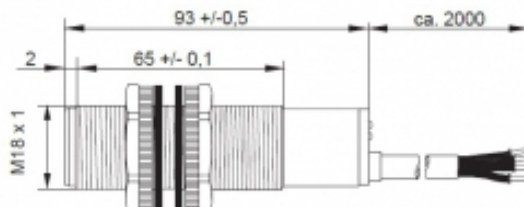


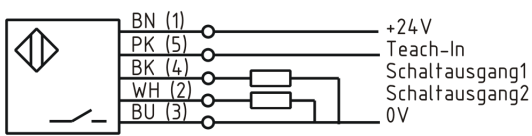


[Article Page](#)

Product Description

ultrasonic sensor



Name	KURT400-M18KB93-DPSS
Order number	08400832500
art_schaltabstand_einstellbar	yes
Switch type	 Switchable
Signal Type	DC PNP
Connection	 Cable
Connection diagramm	

Dimension (in mm)	M18 x 93
-------------------	----------

Technical Specification

Signal type	Taster
Operating voltage	12 - 30 VDC
Max. load current	500 mA
No load current	< 35 mA
Switching frequency	20 Hz
Operating temperature	-15 ° C to 70 ° C
Repeat accuracy	+/- 0,2% / +/- 1 mm
Operating state	LED
Swiching state	LED
Carrier frequency	360 kHz
Sound beam	ca. 8°
Measuring range	3-40 cm

Short-circuit proof	yes
Overload protection	yes
Reverse voltage protection	yes
Protection category	IP67
EMC-level	DIN EN 60947-5-2:2008
Housing material	Plastic
Termination	2m PVC 3x0,34mm ²

Errors and omissions excepted