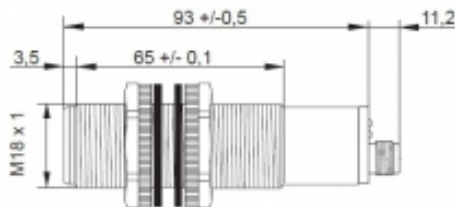




[Article Page](#)

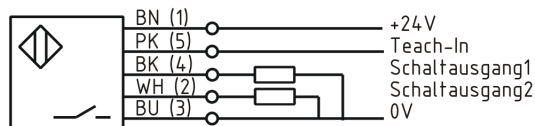
Product Description

ultrasonic sensor



Name	KURT400-M18KB93-DPSS-V2
Order number	08400832563
Matchcode	9983-2563
art_schaltabstand_einstellbar	yes
Switch type	 Switchable
Signal Type	DC PNP
Connection	 Connector

Connection diagramm



Dimension (in mm)	M18 x 93
-------------------	----------

Technical Specification

Signal type	Taster
Operating voltage	12 - 30 V
Max. load current	500 mA
No load current	< 35
Switching frequency	20 Hz
Switching hysteresis	1 %
Operating temperature	-15 ° C to 70 ° C
Repeat accuracy	+/- 0,2% / +/- 1 mm
Operating state	LED
Switching state	LED
Carrier frequency	360 kHz

Sound beam	ca. 8°
Measuring range	3-40 cm
Short-circuit proof	yes
Overload protection	yes
Reverse voltage protection	yes
Protection category	IP67
EMC-level	DIN EN 60947-5-2:2008
Housing material	Plastic
Termination	Connector M12 5pol

Errors and omissions exceptet