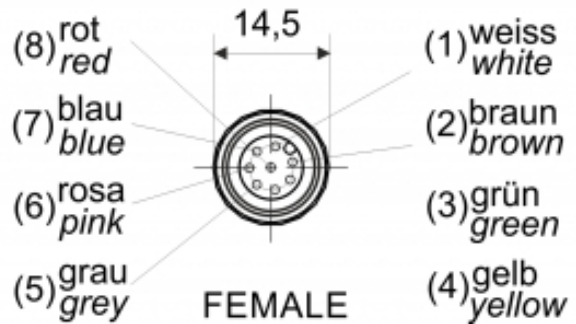
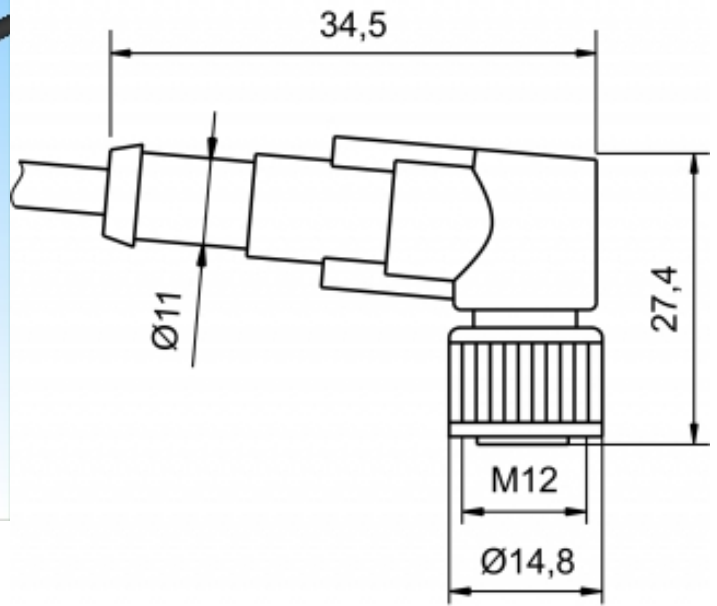



[Article Page](#)

Product Description

connector M12



Name	V2-8/W/P/2m
Order number	44500002010
Connection	 Socket
Leaving	gewinkelt

Technical Specification

Special features	Silicone-free
Signal type	connector
Operating temperature	-25 ° C to 80 ° C
Cable	offen
Number of terminals	8
Rated operating current at 40° C	2 A
Rated operating voltage	30 V
Contact resistance	≤ 5 mΩ
Isolation resistance	≥ 100 MΩ
Cable length	2 m

Utilisation category	3
Contact durability	≥ 100
Contact material	CuZn
Contact surface material	Ni/Au
Contact holder	TPU
Shell type material	TPU
Knurled nut material	Messing vernickelt
Sealing material	NBR
Cable material	PUR
Cover material	LI9Y11Y
Wire isolation material	PP
Wire material	Cu Litze
Wiring diameter	8x0,25
Signal wire structure	32x0,10mm
Conductor diameter	1,17 mm 0,02 mm
Outer cover diameter	5,9 mm 0,15 mm
Conductor colour	braun, blau, weiß, grau, rosa, rot, gelb, grün
Cover colour	schwarzgrau RAL 7021
Wire resistance	max. 78Ω/km
Nominal operating voltage	≤ 300 V
Test voltage unit	≥ 3000
Flame-retardant	nach UL-Style 20549
Halogen-free	nach DIN VDE 0472 Teil 815
Oil-resistant	nach DIN EN 60811-2-1
Other resistances	Highly resistant to acids, alkaline solutions and solvents, hydrolisis and microbe resistant

Errors and omissions exceptet