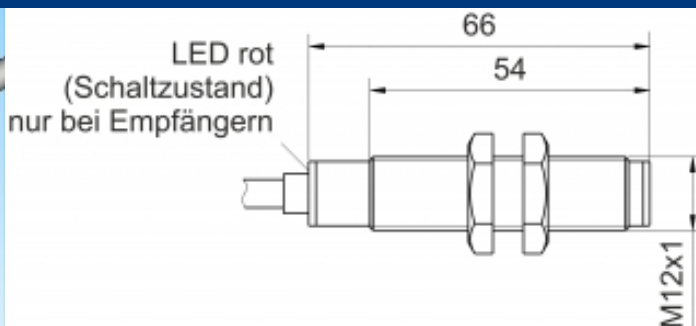





[Article Page](#)

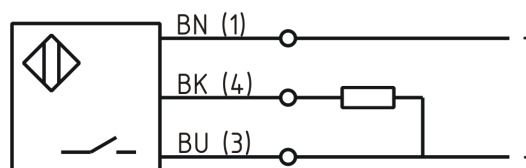
Product Description

reflex light probe



Name	KORT400-M12MB64-DPS-IR
Order number	08361245323
Switching distance	from 400 mm to 400 mm
Switch type	 - N.O.
Signal Type	PNP
Illuminant	 Infrared light 880 nm
Connection	 Cable

Connection diagramm



Dimension (in mm)	M12 x 64
-------------------	----------

Technical Specification

Signal type	Diffuse mode sensor
Operating voltage	10 - 30 V DC
Max. load current	150 mA
No load current	< 30 mA
Switching frequency	200 Hz
Operating temperature	-25 ° C to 70 ° C
Swiching state	LED
Sensitivity adjustable	ja
Short-circuit proof	yes
Overload protection	yes

Reverse voltage protection	yes
Protection category	IP67
EMC-level	DIN EN 60947-5-2:2008
Termination	2m PVC 4x0,14mm ²

Errors and omissions exceptet