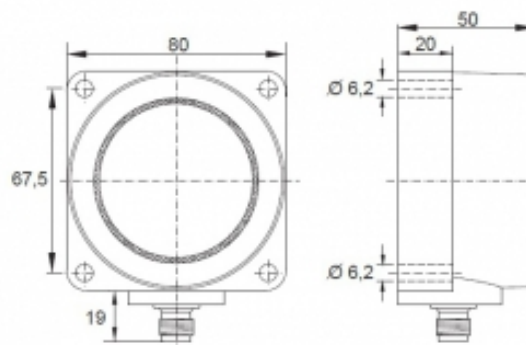




[Article Page](#)

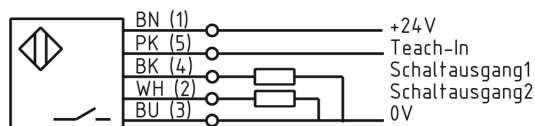
Product Description

ultrasonic sensor



Name	KURT6000-Q80KB50-DPSS-V2
Order number	08400832463
Matchcode	9983-2463
art_schaltabstand_einstellbar	yes
Switch type	 Switchable
Signal Type	DC PNP
Connection	 Connector

Connection diagramm



Dimension (in mm) Q 80 x 50 x 80

Technical Specification

Signal type	Taster
Operating voltage	15 - 30 VDC
Max. load current	500 mA
No load current	< 35 mA
Switching frequency	0,5 Hz
Operating temperature	-15 ° C to 70 ° C
Operating state	LED
Swiching state	LED
Carrier frequency	80 kHz
Sound beam	ca. 8°
Measuring range	60-600 cm

Short-circuit proof	yes
Overload protection	yes
Reverse voltage protection	yes
Protection category	IP67
EMC-level	DIN EN 60947-5-2:2008
Housing material	Plastic
Termination	Connector M12 5pol

Errors and omissions exceptet