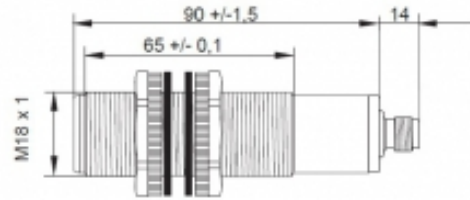

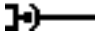


[Article Page](#)

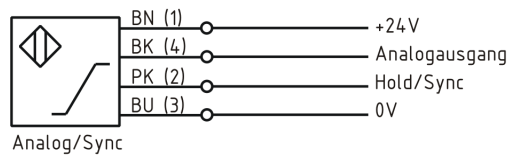
Product Description

ultrasonic sensor



Name	KURT1500-M18KB89-ANU-V2
Order number	08409843163
Matchcode	9984-3163
Switch type	 analog
Signal Type	Analog Voltage
Connection	 Connector

Connection diagramm



Dimension (in mm)	M18 x 95,5
-------------------	------------

Technical Specification

Signal type	Taster
Operating voltage	18 - 30 VDC
No load current	35 mA
Operating temperature	-15 ° C to 70 ° C
Repeat accuracy	0,2 %
Linearity	0,3 %
Analog output	Pulso_has10-10V
Time delay	100 ms
Carrier frequency	180 kHz
Sound beam	ca. 8°
Measuring range	20-150 cm
Overload protection	yes

Reverse voltage protection	yes
Protection category	IP67
EMC-level	DIN EN 60947-5-7:2004-06
Housing material	Plastic
Termination	Connector M12 4pol
Inhibit	Pink -> 0V
Synchronisation	Pink -> Pin2
Enable	Pink not connected

Errors and omissions exceptet