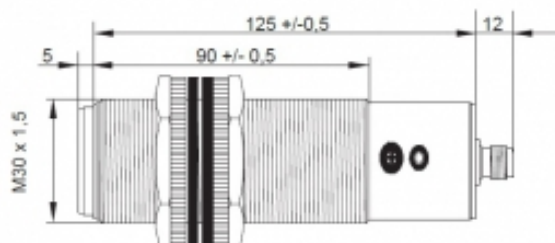




[Article Page](#)

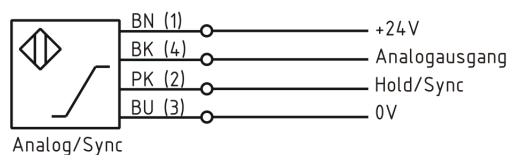
**Product Description**

**ultrasonic sensor**



Name	KURT2500-M30KB106-ANU-V2
Order number	08409861363
Matchcode	9986-1363
Switch type	 analog
Signal Type	Analog Voltage
Connection	 Connector

Connection diagramm



Dimension (in mm)	M30 x 130
-------------------	-----------

**Technical Specification**

Signal type	Taster
Operating voltage	18 - 30 VDC
No load current	35 mA
Operating temperature	-15 ° C to 70 ° C
Repeat accuracy	0,2 %
Linearity	0,3 %
Analog output	Pulso_has10-10V
Time delay	200 ms
Carrier frequency	130 kHz
Sound beam	ca. 8°

Pulse rate of rise	fix
Measuring range	30-250 cm
Overload protection	yes
Reverse voltage protection	yes
Protection category	IP67
EMC-level	DIN EN 60947-5-7:2004-06
Housing material	Plastic
Termination	Connector M12 4pol
Inhibit	Pink -> 0V
Synchronisation	Pink -> Pin2
Enable	Pink not connected

**Errors and omissions exceptet**