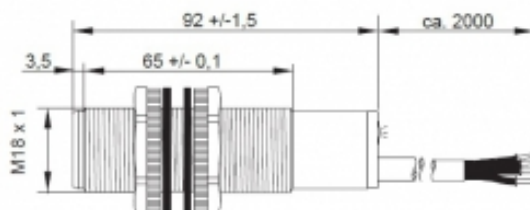

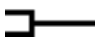


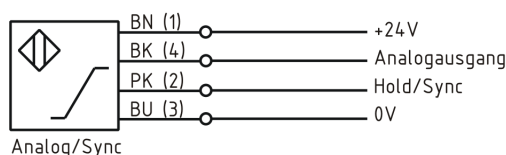
[Article Page](#)

**Product Description** **ultrasonic sensor**



Name	KURT1500-M18KB89-ANU
Order number	08409843100
Matchcode	9984-3100
Switch type	 analog
Signal Type	Analog Voltage
Connection	 Cable

Connection diagramm



Dimension (in mm)	M18 x 95,5
-------------------	------------

**Technical Specification**

Signal type	Taster
Operating voltage	18 - 30 VDC
No load current	35 mA
Operating temperature	-15 ° C to 70 ° C
Repeat accuracy	0,2 %
Linearity	0,3 %
Analog output	Pulso_has10-10V
Time delay	100 ms
Carrier frequency	180 kHz
Sound beam	ca. 8°
Measuring range	20-150 cm
Overload protection	yes

Reverse voltage protection	yes
Protection category	IP67
EMC-level	DIN EN 60947-5-7:2004-06
Housing material	Plastic
Termination	2 m cable 4 pole
Inhibit	Pink -> 0V
Synchronisation	Pink -> Pin2
Enable	Pink not connected

**Errors and omissions exceptet**