

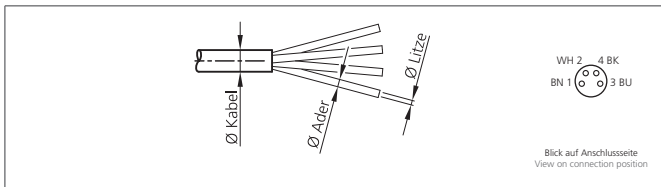
BK-W-8/4

Conector

- Carcasa plástica
- Rosca metálica
- Conexión soldable
- Elevado grado de protección hasta IP67
- Salida de cable 4 x 90° giratorio



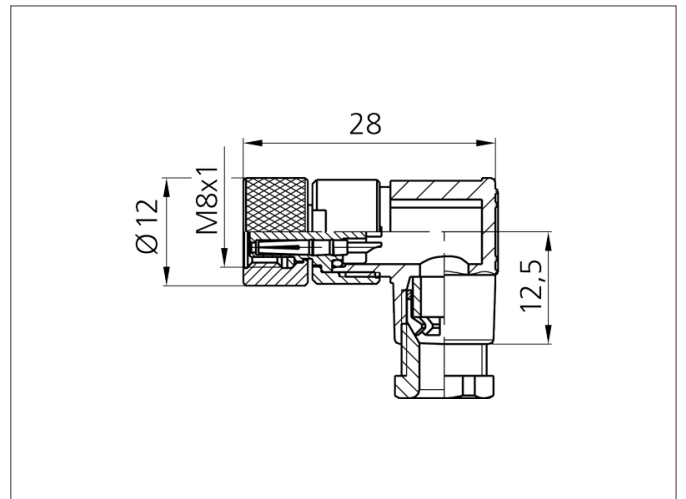
CE



Safety instructions

The Instruments are not to be used for safety applications, in particular applications in which safety of persons depends on proper operation of the instruments.

These instruments shall exclusively be used by qualified personnel.



TECHNICAL INFORMATION (typ.)

Diseño	angular
Técnica de protección	IP 67
material de la carcasa	Plásticos
Connection sensor side	Socket, M8x1, 4-polos
Connection control side	Field-wireable, Solder connection, 4-polos
Para diámetro de cable	3,5 ... 5,0 mm
Para trenzas	0,25 ... 0,34 mm ²