

M12 Actuator/Sensor Distribution Boxes

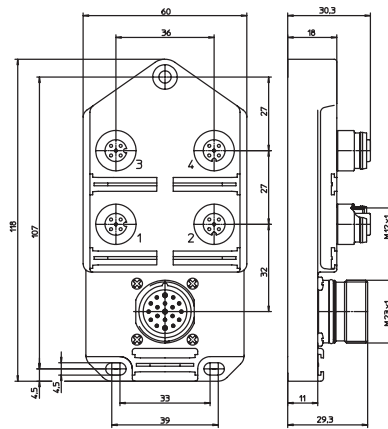
ASBSV


4-, 6-, and 8-Ports

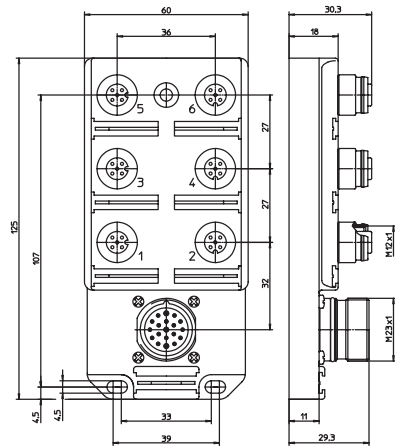
Pluggable actuator/sensor distribution box, 4-, 6-, and 8-ports, top-entry, M12 sockets, 5-poles, 2 signals per socket, with M23 quick-disconnect for the control cable.

– control cable type: 19P: RKU 19-242/...M or RKWU 19-242/...M –

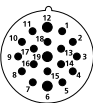
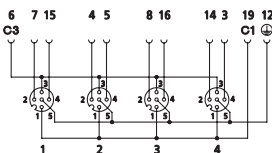
4-Ports



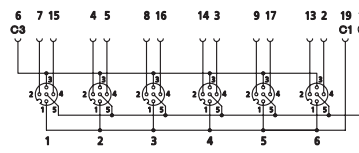
6-Ports



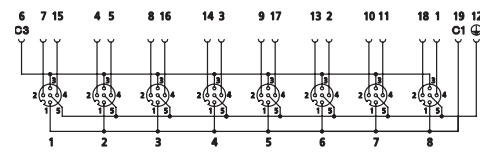
Pin Assignments

M12 / M23
Wiring Diagrams
5 P / 19 P

4-Ports


1 =	19	(C1)
2 =	1	(7)
	2	(4)
	3	(8)
	4	(14)
3 =	6	(C3)
4 =	1	(15)
	2	(5)
	3	(16)
	4	(3)
5 =	12	(PE)

6-Ports


1 =	19	(C1)
2 =	1	(7)
	2	(4)
	3	(8)
	4	(14)
	5	(9)
	6	(13)
3 =	6	(C3)
4 =	1	(15)
	2	(5)
	3	(16)
	4	(3)
	5	(17)
	6	(2)
5 =	12	(PE)

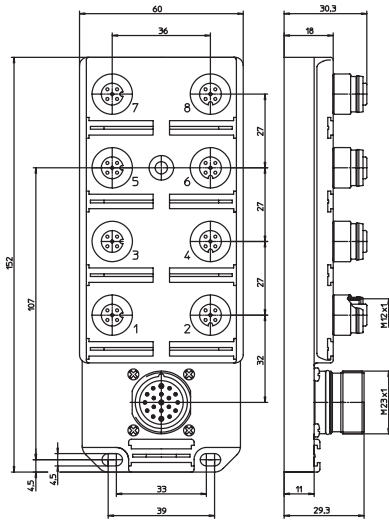
8-Ports


1 =	19	(C1)
2 =	1	(7)
	2	(4)
	3	(8)
	4	(14)
	5	(9)
	6	(13)
	7	(10)
	8	(18)
3 =	6	(C3)
4 =	1	(15)
	2	(5)
	3	(16)
	4	(3)
	5	(17)
	6	(2)
	7	(11)
	8	(1)
5 =	12	(PE)

Be Certain with Belden

M12 Actuator/Sensor Distribution Boxes ASBSV 4 5 | ASBSV 6 5 | ASBSV 8 5

8-Ports



Technical Data

Environmental

Degree of protection IP 67 / NEMA 6P
Operating temperature range -15°C (+5°F) / +80°C (+176°F)

Mechanical

Housing TPU, self-extinguishing
Insert PA GF, self-extinguishing
Contact CuZn, pre-nickel and 0.8 microns gold-plated
Receptacle shell CuZn, nickel-plated
O-ring FKM

Electrical

Contact resistance $\leq 5m\Omega$
Voltage rating 30 V AC/DC
Current rating 4 A per port / 10 A max. total
Insulation resistance $> 10^9 \Omega$

Accessories (included)

ZVK 2 dust covers for unused sockets
ZBS 10 attachable labels

Part Number	Ports	Mating Control Cables	Characteristics
ASBSV 4 5	4	RKU 19-242/...M or RKWU 19-242/...M	
ASBSV 6 5	6	RKU 19-242/...M or RKWU 19-242/...M	
ASBSV 8 5	8	RKU 19-242/...M or RKWU 19-242/...M	